

Safety at School Grounds

Especially Evacuation Practices
in Nashville, Tennessee

Why I Care About Safety on School Grounds

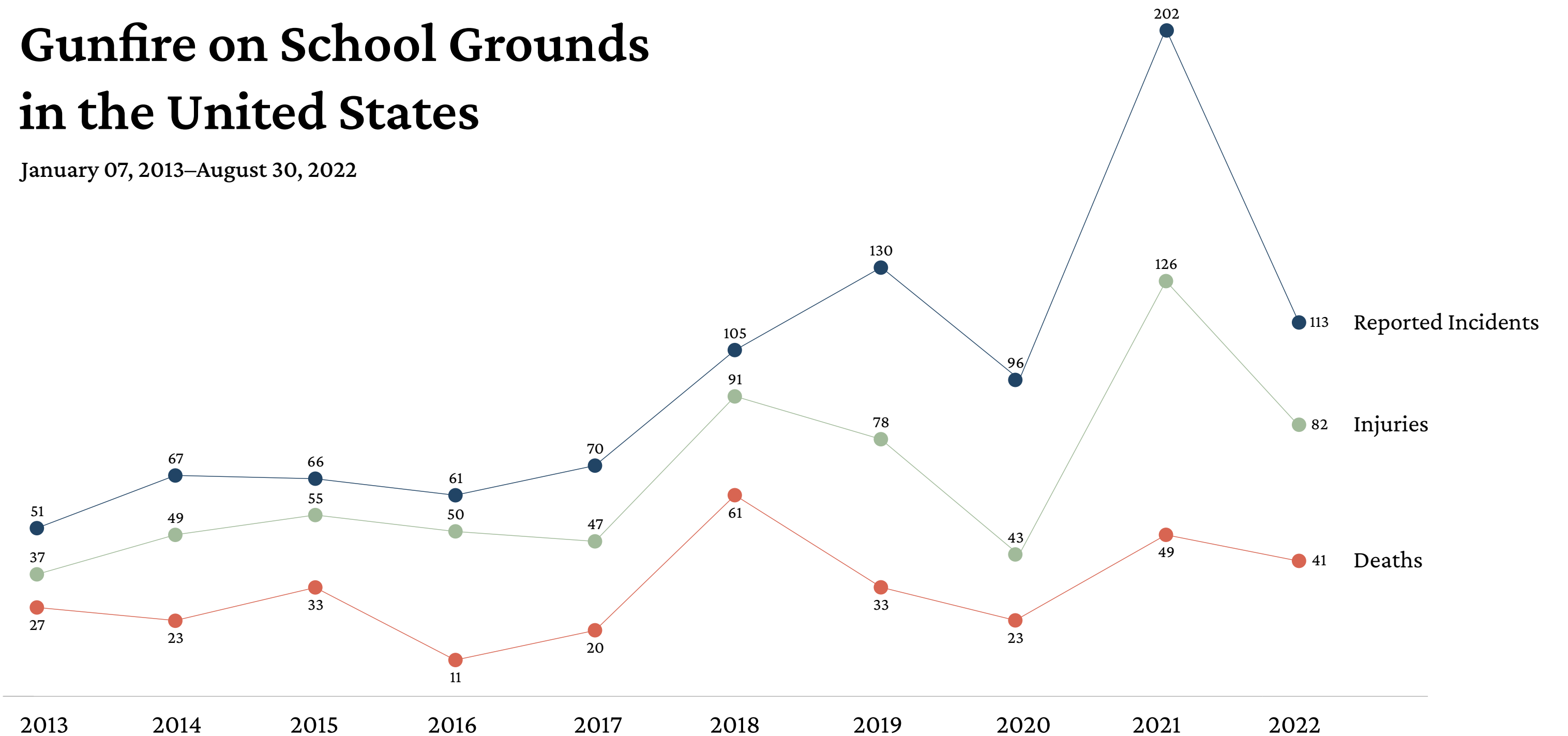
I am a person who always cares a lot about safety and security. I would look for safety exits or safety guides whenever I enter a new building. When I visited my older sibling's elementary school, she is a 3rd-grade teacher in Nashville, Tennessee, I noticed that there weren't any safety guides both in the exterior and interior of the building. All I saw was an exit sign at the ceiling, which is impossible for students from ages 4–10 to see and follow its paths. Adding on, I've heard of a few gun-firing incidents near her school and was concerned about my sibling's safety and the students as well. Therefore, I wanted to make something that can help people in J.E. Moss Elementary School, specifically, people in the classrooms, with things that can capture the children's attention and actually enlighten them about which actions to take in case of an emergency.

Background Knowledge & Acknowledging the Seriousness

United States is the top number one country with the highest gun ownership and gun death rate. Between 2019–2021, the number of mass shootings has increased from 417 to 692. Among these 692 incidents, approximately one-third, 202 incidents, took place on school grounds. The statistic of how one-third of the total incidents happened on school grounds proves the seriousness of how students and the younger generation are exposed to crime.

Gunfire on School Grounds in the United States

January 07, 2013–August 30, 2022



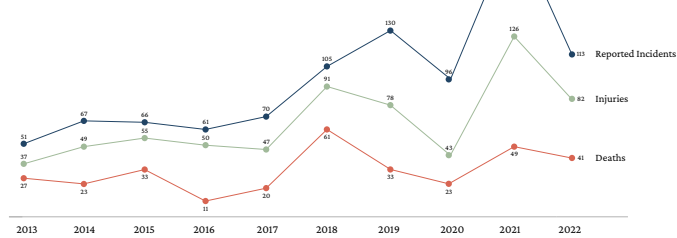
	2013	2014	2015	2016	2017	2018	2019	2020	2021	2022
Injuries	37	49	55	50	47	91	78	43	126	82
Deaths	27	23	33	11	20	61	33	23	49	41
Counted Incidents	51	67	66	61	70	105	130	96	202	113

Gunfire on School Grounds in the United States A Year with the Most Incidents

January 04, 2021–December 29, 2021

Gunfire on School Grounds in the United States

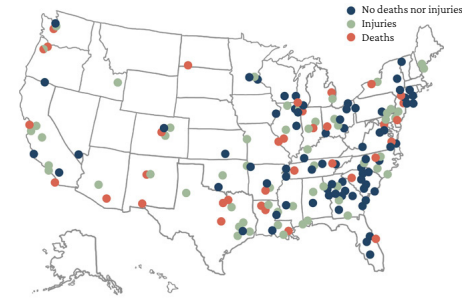
January, 2021–August, 2021



The top 1 country with the highest gun ownership and gun death rate is the United States. In two years, from 2019–2021, the number of mass shootings has increased from 417 to 692. Among 692 incidents, the reported incident took place on school grounds are 202. The statistic of how one-third of the total incidents happened in an exposed area full of children says something crucial the government must consider.

There isn't a set cause of why and how the number has dramatically increased over the years, however, the overall trend of the reported incidents in the chart is a positive rate of change. There are exceptions, such as in 2020, when the

Covid-19 pandemic shut down the schools and transformed all education programs into online Zoom meetings. The most possible prediction of the severe increase of gunfire on school grounds in 2021 is the possibility of how the anger, anxiety, and depression from being locked in at houses with restricted social communication erupted when schools slowly opened their campuses and started offline education programs. Based on the data, to back up the hypothesis, the number of gunfire increased steadily from March and peaked from August to December when the Fall semester started.



It is currently unavailable to distinguish the reason why gunfire on school grounds happens more frequently in the East side of the United States. However, it is predicted to be due to State laws. Gun control and carrying a gun in most States in the East side of the United States are legal. More exposure to gun for teenagers and adults, lead to an even environment of danger. In comparison to California, where the State bans the manufacturing and distribution of assault weapons and guns without serial numbers. Conceal carry is legal in California, which might be the cause of a few incidents of gunfire on school grounds.

Everytown. "The Long, Shameful List of Gunfire on School Grounds in America." Everytown Research. Kampfire, Policy, 14 June 2021. <https://everytownresearch.org/map/gunfire-on-school-grounds/>.

January	February	March	April	May	June	July	August	September	October	November	December	
<p>04 Perth Bible Church and Academy vs An officer shot an aggressive dog and wounded the dog with his personal gun on the school grounds.</p> <p>10 Southeast High School IL A 16 year old girl and a 20 year old woman were shot and wounded while practicing driving in a vehicle in the parking lot.</p> <p>12 Highland Elementary School MD A 21 year old man was shot and killed while in a vehicle in the parking lot.</p> <p>21 Lower Elementary School OK A student's father's personal gun discharged and struck the father in the parking lot.</p> <p>21 Eastmoor Academy ON A fight between multiple women was being watched by a few men, while one of them shot a round at a man looking at them, but shot a 19 year old male bystander instead.</p>	<p>01 Muslim American Youth Academy MN An argument between two groups in the school's gymnasium escalated to gunfire. One was shot in the leg, some fled before the police arrived.</p> <p>02 Fort Valley State University GA A student was shot and wounded during an attempted robbery in the residence hall.</p> <p>03 Phlander Smith College AR Multiple shots struck the cafeteria building and no one was shot.</p> <p>10 St. Martinville Head Start Center LA Two cars shot at each other near the school, while the instructor of the building.</p> <p>20 University of Arizona AZ A 20 year old student was fatally shot by a person in a car, who fled the scene.</p> <p>26 George Washington Carver High LA A 19 year old man shot and killed a security officer who received the man fired a basketball game at the school.</p>	<p>01 Wayne Central Middle School NY A 19 year old employee brandished a knife at staff members during an altercation. The sheriff's deputy intervened and the employee was shot in the foot.</p> <p>01 Watson Chapel Junior High School AR A 15 year old boy was fatally shot by a classmate during a fight in the hallway.</p> <p>04 Achievement First Amistad High CT A 43 year old woman shot and wounded her son in-law while they were waiting to pick their child in the parking lot. The woman fled the scene.</p> <p>08 Edwards Elementary School SC A 14 year old woman shot and wounded her son in-law while they were waiting to pick their child in the parking lot. The woman fled the scene.</p> <p>09 Bishop Hartley High School OH A gun was fired into the gymnasium, where the students were present. No one was shot.</p> <p>13 Sarah Moore Greene Elementary TN A car followed up a woman driving into the parking lot, fired three shots towards her car and fled. The woman drove directly to the police precinct and the school went on lockdown for two hours.</p> <p>16 Northeastern Illinois University IL A shooting between two cars went through the campus. No one was injured.</p> <p>15 Merriville High School IN After an 18 year old student made a TikTok with a girl, her former boyfriend challenged the student to a fight in the parking lot. They fought for 3-5 minutes, when a 20 year old and an 18 year old fired multiple shots towards the fight. The TikTok student was fatally shot in the hand, while the former boyfriend was injured on the side of his head.</p> <p>17 Kenesaw State University GA A 19 year old, without a license to carry a gun, unintentionally shot and killed a student while they were in a car on campus.</p> <p>24 Four Corners Elementary School (OK) Two teenage boys were shot, one fatally, in the parking lot. The teenager who shot the boys was charged with first-degree robbery, unlawful possession of a firearm, unlawful use of a weapon, and five-degree theft.</p> <p>25 Tennessee Tech University TN A vice president of the university unintentionally discharged his firearm in his office. The gun was placed on a table, and it fired when he holstered it. No one was shot.</p> <p>26 Casto Elementary School MO A 13 year old man in the parking lot called 911, reporting he was suicidal and when the police arrived, he pointed the gun at them, in which the officer fatally shot the man.</p> <p>29 Hopkinsville High School KY A gun in a student's backpack went off. No one was shot.</p>	<p>01 Selma High School AL A 15 year old and a 17 year old student were in a fight in the lunchroom, and the 15 year old pulled out his personal gun and fired. Luckily, no one was injured.</p> <p>09 Alcorn State University MS A student was wounded from a shooting on campus.</p> <p>11 University of Cincinnati OH Shots were fired on campus, and no one was injured.</p> <p>11 Bishop Noll Institute IN A 43 year old woman was fatally shot inside her vehicle in the school parking lot by her 38 year old boyfriend.</p> <p>13 Austin East High School TN The officers found a student in the school's bathroom with a gun. The student's gun struck no one, yet a officer fired at the student, killing him and wounding another officer.</p> <p>13 San Diego High School CA A man drove onto the campus, fired at the officers who followed, kidnapped a woman onto the dumpster. A SWAT officer fatally shot the man after 11 hours of negotiation.</p> <p>18 University of North Texas TX Two students were shot and wounded during an altercation between two groups.</p> <p>18 Westwood Elementary School OH Two teenagers were shot in a vehicle. A 16 year old boy was pronounced dead in the hospital, while the other victim was wounded to the abdomen and the fingers.</p> <p>20 Radford University VA An altercation between groups led to a student firing a gun on campus. No one was injured.</p> <p>20 Harker Heights High School TX An argument of three people in the parking lot led to shots fatally striking a 19 year old student.</p> <p>24 Plymouth Middle School MN A 12 year old girl shot in the ceiling of a hallway with a gun he stole from his father's bedroom.</p> <p>27 Smyrna Middle School DE A 47 year old man shot and killed his 18 year old wife while waiting for their daughter in the parking lot.</p> <p>27 La Petite Academy of Memphis TN A woman arrived at the daycare to pick up her child, argued with an employee about tuition payment. The woman left, brought her gun, fired into the daycare, while more than 40 students were inside the school.</p> <p>29 University of Arkansas at Pine Bluff AR A student was shot and wounded, while a young man was stabbed following an altercation.</p> <p>29 Urban Dove Team Charter School NY A 17 year old student was fatally shot as he was leaving the school.</p> <p>30 Mary E. Castle Early Learning Center IN A person was shot and wounded from a domestic dispute.</p>	<p>01 Benjamin E Mays School MN A 15-year-old man was approached by three other men, who began shooting. The bullets hit the school and a few vehicles.</p> <p>04 Polk State College FL A fight between two softball teams escalated into a person firing shots from their car.</p> <p>05 Ware Shoals High School SC A student fatally shot himself in the parking lot.</p> <p>06 Rigby Middle School ID A 46th grade student shot and wounded two fellow students and a school custodian. A teacher detained the student until police arrived.</p> <p>13 Lost River Junior Senior High OH A person fired three shots into the air in the parking lot, while a baseball game was being played at the school.</p> <p>18 Columbia High School NJ An 18 year old student was fatally shot, while a 17 year old student was shot and wounded.</p> <p>06 Dr. Charles R. Drew Elementary VA A group of people were congregating in the parking lot, while a baseball game was being played at the school.</p> <p>07 Eastern Hills High School TX A 17 year old student was fatally shot during a fight in the parking lot.</p> <p>14 San Mateo High School CA Three 16-year-old students tried to steal a car a 19 year old couple was sitting in. They fatally shot the man in the torso and the woman was not wounded.</p>	<p>01 Lincoln Park High School IL A 17 year old boy fired a gun with a defaced serial number into a crowd, while his fellow classmate was shot in the arm.</p> <p>02 Medical University of South Carolina SC A 28 year old woman confronted her boyfriend, who punctured the tires of her car, fired the man and has been arrested on charges of domestic violence.</p> <p>06 Temple University PA A man was shot and wounded on the campus after an argument.</p> <p>06 Columbia High School NJ An 18 year old student was fatally shot, while a 17 year old student was shot and wounded.</p> <p>06 Dr. Charles R. Drew Elementary VA A group of people were congregating in the parking lot, while a baseball game was being played at the school.</p> <p>07 Eastern Hills High School TX A 17 year old student was fatally shot during a fight in the parking lot.</p> <p>07 Tye High School WA A 31 year old man was fatally shot on the basketball court.</p>	<p>04 Dr. Louis A Cerulli School No.34 NY A 16 year old boy was fatally shot in a parked car in the parking lot.</p> <p>14 Nathan Hale Elementary School IL A Chicago police officer died by suicide in a personal vehicle in the parking lot.</p> <p>17 Oklahoma State University OK A couple was going a ride to a stranger, who pointed a gun at them to drive him to different places. The female victim was struck in the leg on the south end of the campus after the male victim had fled.</p> <p>18 Forest Park Elementary School AR Shots were fired on the basketball court. No one was injured.</p> <p>24 Houston Community College TX A fight between four men in a car escalated into a person firing shots from within the car. A victim was struck in the chest.</p> <p>27 Tye High School WA A 31 year old man was fatally shot on the basketball court.</p>	<p>04 Burns Middle School AL Two juvenile boys were shot, one in the stomach and the other on the hand.</p> <p>05 Chapel Hill Middle School CA A 23 year old man, who left the administrative teaching position fired five gunshots the next day and 30 minutes later was wounded.</p> <p>06 St. Francis de Sales LA A 60 year old woman was shot in the hand while waiting for her grandchildren by a 17 year old boy, attempting to rob her.</p> <p>07 Gilbert Heights Elementary School OK One individual was wounded by two shots that were fired during an altercation.</p> <p>10 East Linden Elementary School OH A 12 year old boy unintentionally fired the handgun and wounded a 15 year old boy.</p> <p>11 Mark Twain Elementary School CO One person was wounded by a shooting.</p> <p>12 North Mountain Middle School CA A student unintentionally discharged a firearm in the bathroom, resulting in an active shooter lockdown of the school.</p> <p>12 Lithonia High School GA Two men in the parking lot drove the car towards the officer, who fired two shots and injured one.</p> <p>13 Washington Middle School WA A 12 year old was fatally shot by a classmate who was not to stop bullying during lunch hour with a gun he took from his father.</p> <p>13 Campbell High School MO Shots were fired as the crowd left a pre-season football scrimmage. No one was injured.</p> <p>14 Mary E. McDowell Elementary IL A 15 year old was struck in the right arm, thigh, and hip as a car drove by and shot him in the school yard.</p> <p>15 Rosa Park Elementary School VA Shots were fired after a group of people broke out a fight.</p> <p>16 New Hanover High School NC A 14 year old student shot another student after an altercation.</p> <p>30 New Town High School MD A 14 year old man fired multiple shots during a fight and fled the scene. No one was injured.</p> <p>30 West Side High School NJ A 17 year old student was fatally shot when leaving Lights On, a program that provides a safe space to play sports after gym.</p>	<p>01 Edmunds Middle School VT A bullet struck a third-story window.</p> <p>26 Aki Kurose Middle School WA A 17 year old was critically wounded by a 14 year old student, then shot back at the 14 year old student who fled the scene.</p> <p>26 Hauppauge Middle School NY A man fired on the grounds of the school, who then shot at a security guard who approached. No one was injured in the parking lot.</p> <p>27 Lincoln University PA One individual was wounded by two shots that were fired during an altercation.</p> <p>27 Freedom High School VA A 13 year old boy was shot in the lower body and 14 year old girl was grazed on the foot by a 17 year old boy in the parking lot the afternoon after a firearm was unintentionally discharged.</p> <p>27 Academy Park High School PA An 18 year old male and a 16 year old male fired shots towards each other, while one of the bullets struck a male bystander. Three police officers fired their guns, fatally striking an 8 year old girl and wounded the girl's sister and two other children.</p> <p>27 Apollo High School VA After a football game, shots were reported, however, no injuries were reported and the shooter fled the scene.</p> <p>27 Hammond Central High School IN Two students were shot in the arm and the leg by a 17 year old boy.</p> <p>28 Santa Maria High School CA After a football game, shots were reported, however, no injuries were reported and the shooter fled the scene.</p> <p>30 New Hanover High School NC A 15 year old student shot another student after an altercation.</p> <p>30 New Town High School MD A 14 year old man fired multiple shots during a fight and fled the scene. No one was injured.</p> <p>30 West Side High School NJ A 17 year old student was fatally shot when leaving Lights On, a program that provides a safe space to play sports after gym.</p>	<p>01 Mount Taber High School SC A 15 year old boy fatally shot a friend who he longed to see in his car.</p> <p>01 Santee High School CA A student was shot in the leg in the football field during afternoon classes.</p> <p>01 Albuquerque Christ Lutheran MI Four students were engaged in a fight between students from other schools and shots were fired, while one was wounded.</p> <p>01 Clafin University SC A bullet struck a window and lodged into the wall of a dorm room.</p> <p>01 Fairfield High Preparatory School IL A man was shot in the back while attending a school homecoming football game in the parking lot by an unknown individual.</p> <p>01 Wildwood Elementary School MO A 18 year old student was shot in the abdomen and the center fled the scene.</p> <p>01 Essex High School VA Shots were fired when a fight broke out in the ticket booth.</p> <p>01 Stewards Creek High School TN A 18 year old student fired three shots in the air during a football game.</p> <p>01 Georgia Southern University GA Two vehicles got into an accident, and the victim of the crash was being followed by the other car, which led them deeper into the campus. The assailant fired multiple shots at the victims car.</p> <p>01 Beechcroft High School OH Spectators at a football game reported hearing seven shots fired in the parking lot as the game ended. Multiple car windows were broken.</p> <p>01 Swainboro High School GA Shots were fired when a fight broke out at the end of a football game in the stands of the stadium.</p> <p>01 Parkland High School TX A man fired multiple shots during afternoon dismissal. Students returned to the building and the school went into lockdown.</p> <p>01 North Carolina Central University NC Two men were fatally shot in the parking lot and the football stadium were placed on lockdown.</p> <p>01 Heritage High School CA Two 17 year old students were shot and wounded during the school day. Students evacuated to the tennis courts on campus.</p> <p>01 South Portland High School ME A teenage boy was shot in the leg at the upper parking lot, suspected to be an isolated targeted attack.</p> <p>01 Shaker Heights Middle School OH A shot was fired during a huge fight during a football game. The female shooter shot in the air to break up the fight and told the police.</p> <p>01 Newton Elementary School ME A sophomore was shot in the arm by a group of seven to eight teenagers between the ages of 14-18, courts on campus.</p> <p>01 Fred A. Toomer Elementary GA Shots were fired during an argument between parents after school drop off and the school was placed on lockdown.</p> <p>01 University of Wisconsin-Madison WI A man was arrested after unintentionally firing a gun into the parking lot grounds.</p> <p>01 North Area Athletic Complex CO Four shots were fired by a person in a car on the far west end of the athletic complex during a football game.</p> <p>01 Ohio State University OH A member of a student was shot in the leg on campus by two male suspects who were fleeing the scene.</p>	<p>01 Seventy-First High School NC A 19 year old and an 18 year old were shot after a football game. Bullet holes were found on the ground.</p> <p>01 YES Prep Southwest Secondary TX The school principal was shot in the back by a former student motivated by a grudge through the school's door.</p> <p>01 Valdosta State University GA Two men were in a fight, when a 20 year old man discharged a firearm and shot the other man.</p> <p>01 Adamson Middle School CA A firearm was unintentionally discharged in a student's backpack during a class. No one was injured.</p> <p>01 Ben Davis High School IN A 19 year old shot and wounded five people near the stadium exit ramp during a football game.</p> <p>01 Southern University A&M College LA Two people were wounded in a shooting in a residential area of the campus.</p> <p>01 Grambling State University LA One student was fatally shot and seven were injured during a Homecoming event.</p> <p>01 Rogers High School AR A 20 year old man fired six shots at the football stadium after firing four shots towards the sports store.</p> <p>01 Garinger High School NC Shots were fired from an SUV in a targeted group of students in the morning before classes began. Students shut back at the vehicle and ran into the school.</p> <p>01 Timberview High School TX A 18 year old student fired a gun to his classmate in a classroom. Three students were injured.</p> <p>01 Watkins Elementary School IL A 26 year old man was fatally shot at the end of a football game during an argument with a 18 year old student.</p> <p>01 East Chambers High School TX A man was struck by a bullet and a few bullet holes were found at the school building.</p> <p>01 Sheep-Harney Elementary School NC Shots were fired and broke several windows on the second floor.</p> <p>01 South Portland High School ME A teenage boy was shot in the leg at the upper parking lot, suspected to be an isolated targeted attack.</p> <p>01 Comanche Middle School OK A student fired a shot out the window of the cafeteria. No one was injured.</p> <p>01 Wendell Phillips High School IL Multiple shots were shot from a vehicle towards the school as the security opened the school's door for dismissal. The security and a 16 year old student was shot.</p> <p>01 Little Rock Central High School AR Multiple shots were shot from a vehicle as the bullets broke the windows of an occupied classroom. The school activated lockdowns and dismissed early.</p>	<p>01 Ross Scott School MS A woman reached into her purse to look for her phone and unintentionally fired her gun during a basketball game.</p> <p>01 University of Louisiana Monroe LA A former student motivated by a grudge through the school's door.</p> <p>01 James McDade Classical School IL 28 shots were fired towards the school from a passing vehicle.</p> <p>01 Reiche Community School MI Multiple shots were fired on the school playground.</p> <p>01 Williamson High School AL A 19 year old shot and wounded five people near the stadium exit ramp during a football game.</p> <p>01 P.S. 026 Jesse Owens School NY Three shots were fired.</p> <p>01 North Carolina State University NC A man approached to a car to steal it and with multiple students inside, who began driving away, the man fired multiple shots at the vehicle.</p> <p>01 F.S. 44 David C. Farragut NY A 45 year old man fired multiple shots aimed at the dismissal time, striking an unoccupied car.</p> <p>01 Hinkley High School CO Two 17 year old and a 16 year old students were shot during lunch time by three 16 year old boys.</p> <p>01 St. Ambrose University IA A dorm shot casing were recovered near the campus after a few reports of multiple shots.</p> <p>01 Lincoln High School IA A 16 year old man pulled a gun and shot a 16 year old boy in the back and neck. A 46 year old man was fatally shot in the head in his car he drove by the school.</p> <p>01 Thornton Township High School IL A man in a car pulled over and started shooting two students and they exchanged gunfire.</p> <p>01 Great Oaks Charter School NY Animals were shot on campus on an early dismissed day for Thanksgiving break.</p> <p>01 Westmont High School CA Two men were wounded in a shooting during a championship football game between high schools.</p> <p>01 Gallaudet University DC A man was shot in the front gate, and the police does not believe the shooter is associated with the school.</p> <p>01 Cesar Chavez High School AZ A 16 year old student brought a phone gun to school, add it to a 45 year old classmate. In response to the fake news, the student confronted the student and was shot in the leg.</p> <p>01 Philadelphia Learning Academy PA An 18 year old student unintentionally shot himself in the leg in the gymnasium during the school day, breaking multiple cafeteria windows.</p> <p>01 Morgan State University MD An 18 year old student was shot in the chest after homecoming weekend events.</p> <p>01 Whitehall-Weartling High School OH An 18 year old student unintentionally shot himself in the ankle in the parking lot while engaging in horseplay with a 12 year old and a 16 year old student.</p> <p>01 Oxford High School MI A 15 year old student fired at least 30 rounds in school, killing 4 students and wounding 7 others with his father's gun.</p> <p>01 Humboldt High School TN An 18 year old student fatally shot a 21 year old student and wounded two 18 year old students after a basketball game.</p>	<p>13 East River High School NY A 19 year old student fired multiple shots in the parking lot during dismissal.</p> <p>13 West Charlotte High School NC A fight between two students over a book bag during dismissal escalated when one student fired a gunshot.</p> <p>14 Merchville High School VA A teenage boy was fatally shot by a 18 year old student in the parking lot after a varsity basketball game.</p> <p>14 South Division High School VA Multiple shots were fired into the air.</p> <p>16 Eau Claire High School IL A male student had fired in the parking lot during the afternoon.</p> <p>29 Catawba College NC Three shots were fired.</p> <p>16 P.S. 026 Jesse Owens School NY Three shots were fired.</p> <p>29 Catawba College NC A fight in the lobby of the gymnasium has escalated and multiple shots were fired. Two bystanders were shot, a 14 year old boy in the forearm and a 13 year old boy in the right leg.</p>

Public School
Private School

January		Feburary		March		April		September		October		November	
04	Perth Bible Church and Academy NY An officer shot an aggressive dog and wounded the dog with his personal gun on the school grounds.	01	Muslim American Youth Academy MI An argument between two groups in the school gymnasium escalated to gunfire. One was shot in the leg, some fled before the police arrived.	01	Wayne Central Middle School NY A 19 year old employee brandished a knife at staff members during an altercation. The sheriff's deputy confronted the employee and was shot in the foot.	01	Selma High School AL A 15 year old and a 17 year old student v in the lunchroom, and the 15 year old p personal gun and fired. Luckily, no one	01	Mount Tabor High School NC A 15 year old boy fatally shot a friend who he longtime feud with.	21	Roberts Vaux Junior High School PA A 15 year old student was shot in the shin at the entrance to the building during dismissal. School went into lockdown.	01	Roswell High School GA A 19 year old and an 18 year old were shot after a football game. Bullet holes were found on the ground.
10	Southeast High School IL A 16 year old girl and a 20 year old woman were shot and wounded while practicing driving in the parking lot.	02	Fort Valley State University GA A student was shot and wounded during an attempted robbery in the residence hall.	01	Watson Capel Junior High School AR A 15 year old boy was fatally shot by a classmate during an argument.	09	Alcorn State University MS A student was wounded from a shooting	09	Santee High School CA A student was shot in the leg in the football field during afternoon classes.	21	East High School KS An off-campus shooting led to bullets striking the building, wounding three students.	01	YES Prep Southwest Secondary TX The school Principal was shot in the back by a former student motivated by a grudge through the school's door.
14	Highliand Elementary School MD A 21 year old man was shot and killed while in a vehicle in the parking lot.	03	Philander Smith College AR Multiple shots struck the cafeteria building and no one was shot.	04	Achievement Frist Amistad High CT A gunfire struck a window of the building, where students were present. No one was shot.	11	University of Cincinnati OH Shots were fired on campus, and no one	11	Albuquerque Christ Lutheran NM Four students was caught in a fight between students from other schools and shots were fired, while one was wounded.	23	StPaul the Apostle Catholic School IL A window was struck by a bullet when two vehicles started to fire.	13	James McDade Classical School IL 28 shots were fired towards the school from a passing vehicle.
21	Lower Elementary School OK A student's father's personal gun discharged and struck the father in the parking lot.	10	St. Martinville Head Start Center LA Two cars shot at each other near the school, while the building was hit in the crossfire and the preschooler were inside the building.	08	Edwards Elementary School SC A 54 year old woman shot and wounded her son-in-law while they were waiting to pick their child in the parking lot. The woman fled the scene.	11	Dessert Oasis High School NV n onlocker fired several shots into the air and fled the scene after a football game. No one was injured.	11	Eucild High School OH A gun was fired in the stadium parking lot after a football game. No one was injured.	23	Clafln University SC A bullet struck a window and lodged into the wall of a dorm room.	14	Reiche Community School ME Multiple shots were fired on the school playground.
21	Eastmoor Academy OH A fight between multiple women was being watched by a few men, while one of them shot a round at a man looking at them, but shot a 19 year old male bystander instead.	20	Uiversity of Arizona AZ A 20 year old student was fatally shot by a person in a car, who fled the scene.	09	Sarah Moore Greence Elementary TN A car followed up a woman driving into the parking lot, fired three shots towards her car and fled. The woman drove directly to the police precinct and the school went on lockdown for two hours.	12	Julius L. Chambers High School NC Multiple gunshots were fired in the parking lot at the end of a football game. No one was injured.	12	Towson University MD A female student and two other people were shot at an on-campus party.	24	Wildwood Elementary School MD A 18 year old student was shot in the abdomen and the shooter fled the scene.	15	Williamson High School AL A 19 year old shot and wounded five people near the stadium exit ramp during a football game.
		26	George Washington Carver High LA A 35 year old man shot and killed a security officer who escorted the man out of a basketball game at the school.	10	Northeastern Illinois University IL A shooting between two cars went through the campus. No one was injured.	13	Essex High School VA Shots were fired when a fight broke out in the ticket booth.	13	LaVergne High School TN A 15 year old boy fired three shots in the parking lot and stroked a car during the dismissal time.	24	Stewards Creek High School FL A 18 year old student fired shots in the air during a football game.	17	Southern University A&M College LA Two people were wounded in a shooting in a residential area of the campus.
				15	Merrilville High School IN After an 18 year old student made a TikTok with a girl her former boyfriend challenged the student to a fight in the parking lot. They fought for 3–5 minutes, when a 20 year old and an 18 year old fired multiple shots towards the fight. The TikTok student was fatally sho in the head, while the former boyfriend was injured on the side of his head.	14	Georgia Southern University GA Two vehicles got into an accident, and the victim of the crash was being followed by the other car, which led them deeper into the campus. The assailant fired multiple shots at the victims car.	14	Tri-County Education Center MI One student pulled a knife during a fight, while the shooter retrieved a handgun from a nearby house and fired into the ground. They were caught in scene.	24	John Harris High School PA Shots were fired during the dismissal time.	17	Grambling State University LA One student was fatally shot and seven were injured during a Homecoming event.
				17	Kenesaw State University GA A 19 year old, without a license to carry a gun, unintentionally shot and killed a student while they were in a car on campus.	15	Beechcroft High School OH Spectators at a football game reported hearing seven shots fired in the parking lot as the game ended. Multiple car windows were broken.	17	Prairie Seeds Academy MN A man was struck by a bullet and a few bullet holes were found in the school building.	24	Essex High School VA Shots were fired when a fight broke out in the ticket booth.	17	Rogers High School AR A 28 year old man fired 16 shots at the football stadium after firing four shots towards the sports store.
				24	Four Corners Elementary School (OR) Two teenage boys were shot, one fatally, in the parking lot. The teenager who shot the boys was charged with first-degree robbery, unlawful	16	Jacksonville State University AL An altercation between two non-student in the parking lot of the dorm resulted in shots fired.	17	Stewards Creek High School FL A 18 year old student fired shots in the air during a football game.	27	John Harris High School PA Shots were fired during the dismissal time.	18	Lincoln High School PA A 21 year old man pulled a gun and shot a 16 year old boy in the back and neck. A 66 year old man was fatally shot in the head in his car as he drove by the school.
						17	Parkland High School NC A man fired multiple shots during afternoon dismissal. Students returned to the building and the school went into lockdown.	17	Tri-County Education Center MI One student pulled a knife during a fight, while the shooter retrieved a handgun from a nearby house and fired into the ground. They were caught in scene.	27	Prairie Seeds Academy MN A man was struck by a bullet and a few bullet holes were found in the school building.	19	University of Indianapolis IN A 26 year old man was fatally shot in the parking lot.
						18	North Carolina Central University NC Two men were fatally shot in the parking lot and the football stadium were placed on lockdown.	17	Stewards Creek High School FL A 18 year old student fired shots in the air during a football game.	27	East Chambers High School TX A student was struck by a stray bullet in a sub-varsity football game.	23	Philadelphia Learning Academy PA An 18 year old student unintentionally shot himself in the leg in the gymnasium during the school day.
						20	Heritage High School CA Two 17 year old students were shot and wounded during the school day. Students evacuated to the tennis courts on campus.	18	South Portland High School ME A teenage boy was shot in the leg at the upper parking lot, suspected to be an isolated targeted attack.	27	Anotonia Pantoja Charter School PA Multiple shots were fired during the school hours, breaking multiple cafeteria windows.	23	Morgan State University MD An 18 year old student was shot in the chest after homecoming weekend event.
						21	NYU Tandon of Engineering NY A sophomore was shot in the arm by a group of seven to eight teenagers between the age of 14–19. courts on campus.	20	Shaker Heights Middle School OH A shot was fired during a large fight during a football game. The female shooter shot in the air to breakup the fight and told the police.	27	Eastway Elementary School NC A 39 year old man died by suicide in a car parked in the parking lot.	23	Saint Augustine's University NC Two men got into an argument and shot each other and wounded themselves.
						21	Fred A. Toomer Elementary GA A 6 year old boy was shot in the leg during the school day when a firearm was unintentionally discharged in another student's backpack.	21	Newton Elementary School MS A 6 year old boy was shot in the leg during the school day when a firearm was unintentionally discharged in another student's backpack.	30	Wendell Philips High Shchool IL Multiple shots were shot from a vehicle towards the school as the security opened the school's door for dismissal. The security and a 16 year old student	26	Cathedral School MS A shot was fired into a classroom from outside.

Public School

Private School

Why Tennessee?

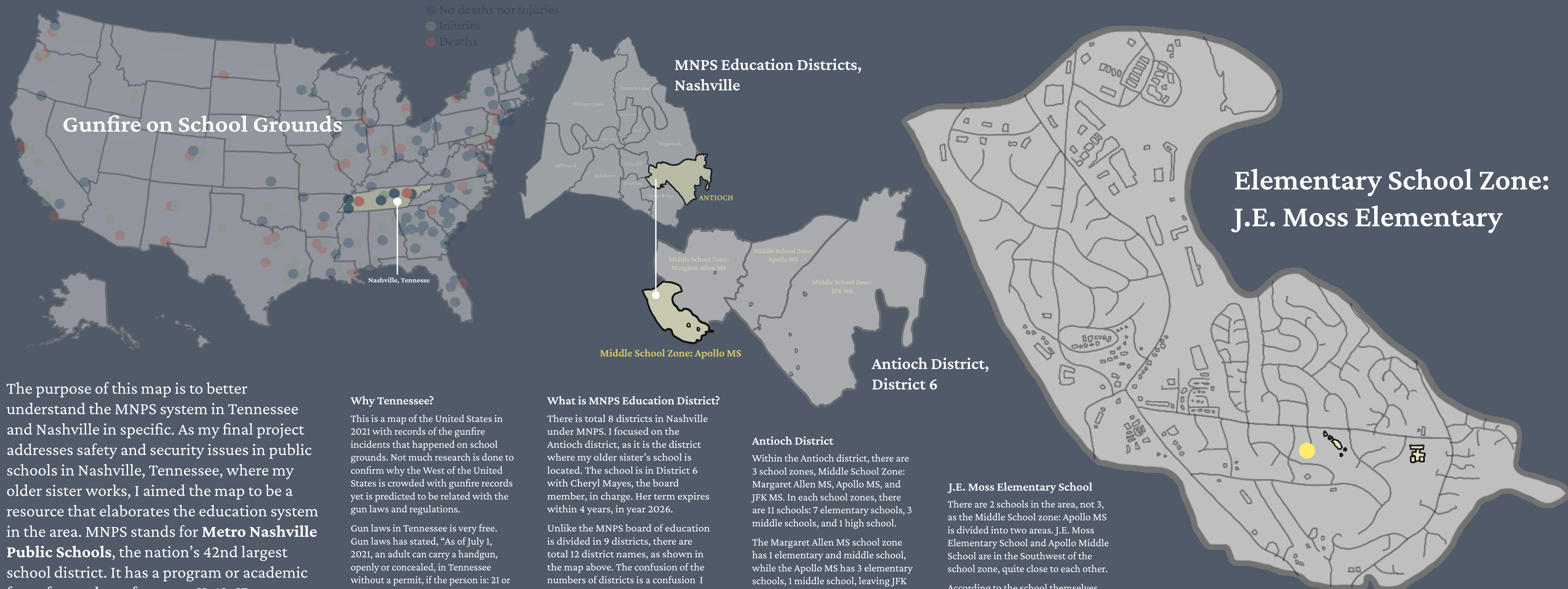
I wanted to focus on a specific school and make the project more personal, rather than choosing a random school that I am not familiar with or interested in.

Nashville, Tennessee, was a perfect place to start with as I've lived in Nashville for 2 years and know the place well. Regardless, I wanted to make something for my older sibling, who works in an elementary school in Nashville, a school with weak security and safety plans. Therefore, I chose to dedicate this project to her school, J.E. Moss Elementary School.



Nashville School Grounds

MNPS EDUCATION DISTRICTS, TENNESSEE



The purpose of this map is to better understand the MNPS system in Tennessee and Nashville in specific. As my final project addresses safety and security issues in public schools in Nashville, Tennessee, where my older sister works, I aimed the map to be a resource that elaborates the education system in the area. MNPS stands for **Metro Nashville Public Schools**, the nation's 42nd largest school district. It has a program or academic focus for students from pre-K–12, IB, Cambridge, advanced academics, dual enrollment, STEAM, Montessori, Academics, and more, (<https://www.mnps.org>) taking care of the schools in Nashville.

Why Tennessee?

This is a map of the United States in 2021 with records of the gunfire incidents that happened on school grounds. Not much research is done to confirm why the West of the United States is crowded with gunfire records yet is predicted to be related with the gun laws and regulations.

Gun laws in Tennessee is very free. Gun laws has stated, "As of July 1, 2021, an adult can carry a handgun, openly or concealed, in Tennessee without a permit, if the person is: 21 or older (or 18 or older for certain military members) Tennessee does not require a permit to carry a firearm, whether openly or concealed." (Sevier County Sheriff's Office). The regulations for guns in Tennessee are quite free compared to other states, causing my anxiety of safety increasing.

What is MNPS Education District?

There is total 8 districts in Nashville under MNPS. I focused on the Antioch district, as it is the district where my older sister's school is located. The school is in District 6 with Cheryl Mayes, the board member, in charge. Her term expires within 4 years, in year 2026.

Unlike the MNPS board of education is divided in 9 districts, there are total 12 district names, as shown in the map above. The confusion of the numbers of districts is a confusion I had when researching this topic and the answer to it was that there are districts are a combination of several other smaller districts, for example, the Hunters Land, Maplewood, and Straford are considered as one big district. Therefore, there are total 9 board members, each taking care of the districts in the MNPS.

Antioch District

Within the Antioch district, there are 3 school zones, Middle School Zone: Margaret Allen MS, Apollo MS, and JFK MS. In each school zones, there are 11 schools: 7 elementary schools, 3 middle schools, and 1 high school.

The Margaret Allen MS school zone has 1 elementary and middle school, while the Apollo MS has 3 elementary schools, 1 middle school, leaving JFK MS with 3 elementary school and 1 middle school. Lastly, all students from all 3 middle school gathers in Antioch HS, which is the end of the MNPS program. As all schools are public schools under the same government and system, the exposure to danger and gun forces are the same for students at ages 3–18.

J.E. Moss Elementary School

There are 2 schools in the area, not 3, as the Middle School zone: Apollo MS is divided into two areas. J.E. Moss Elementary School and Apollo Middle School are in the Southwest of the school zone, quite close to each other.

According to the school themselves, J.E. Moss Elementary school is an elementary school that actively teaches skills that go beyond academics in preparing the children to pursue their own lifelong passions. The students in J.E. Moss Elementary school speaks more than 21 languages

and are from all over the world. As of my observation, the school prepares students to be successful in the wider world, by including a strong education of English, as English is most students' second language.

Everytown. "The Long, Shameful List of Gunfire on School Grounds in America." Everytown Research & Policy, 14 June 2022, <https://everytownresearch.org/maps/gunfire-on-school-grounds/>.

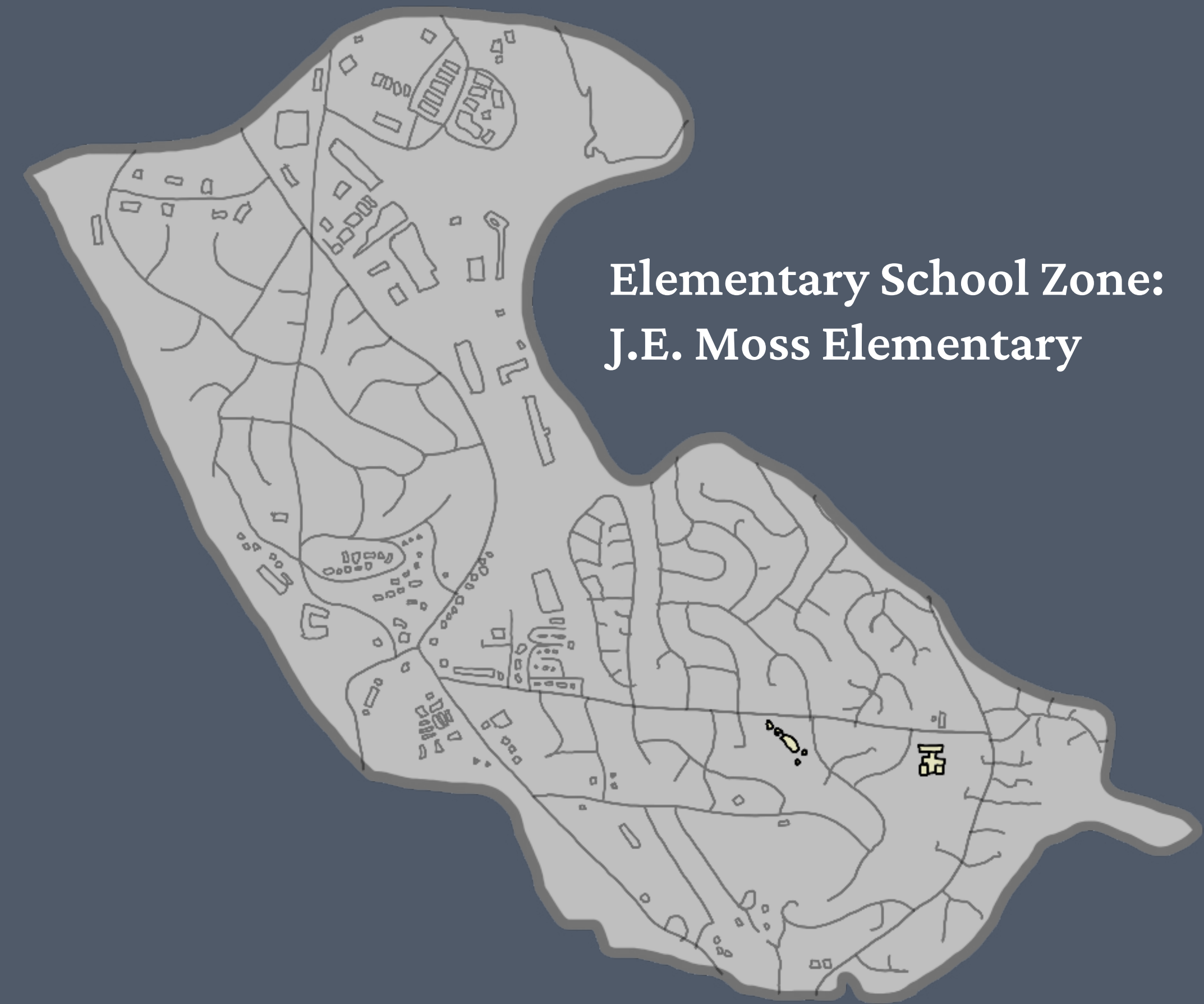
Metro Nashville Public Schools, <https://www.mnps.org/>.

Sevier County Sheriff's Office. "Tennessee Gun Laws." Sevier County Sheriff's Office, Tennessee, 2021, <https://www.seviercountysheriff.com/tennessee-gun-laws.html>.

J.E. Moss. "Our School." J.E. Moss Elementary School, https://jemoss.mnps.org/our_school.

During my research process, I was very confused with the education system in Nashville. So I aimed for the map to be a resource that elaborates and helps people to better understand the MNPS, Metro Nashville Public Schools, a system in Tennessee and Nashville in specific.

As of my observation, the school prepares students to be successful in the world, with a strong education in English, as English is most students' second language.



Interview with a 3rd grade teacher at J.E. Moss Elementary School

Hello, Can you please introduce yourself?

My name is Elle Kim, and I am a 3rd grade teacher at J.E. Moss Elementary School located in Nashville, TN. This is my second year teaching.

Can you describe your school?

Our school has two stories with the office, library, and Pre-K, Kindergarten, 2nd, 3rd-4th grade classrooms located on the top floor and the cafeteria, gym, 2nd grade classrooms, and related arts classrooms (such as Music, Art...etc.) located on the bottom floor. The school's main office and library are the first facilities one would see as they enter the school building on the top floor. They are at the center of the school building. To the right side of the office and library on the top floor is the Pre-K, Kindergarten, and 2nd grade hallway. To the left side of the office and library on the top floor is the 3rd-4th grade hallway. The center of the bottom floor is the cafeteria. On the right side of the cafeteria is the 2nd grade hallway. On the left side of the cafeteria are the related arts classrooms as well as the counselors' offices.

What is unique about the school's system in regard to different grades?

Our school has a unique hallway and pod system, in which each hallway has a designated color. Usually, each hallway houses multiple grade levels, and all the classrooms are sectioned off into groups of 4 in a U-shaped pocket called a 'pod'. For instance, as one enters the blue hallway, which is the 3rd-4th grade hallway, on the left side of the school library, one would see the first 'pod' with 4 classrooms on the right, the second 'pod' with another 4 classrooms on the left further down the hallway, and so forth. There are about 4 pods or 16 classrooms in each hallway. My 3rd grade classroom (Room 102) is in the last pod at the end of the blue hallway, furthest away from the school library.

What are pods and how are they differentiated?

My school does have orientations for new teachers before the new school year begins. I was unable to attend the new teacher orientation my first year of teaching in-person due to flight complications (I was overseas at the time with my family), so I do not know for sure if the orientation addressed safety and security issues. These issues were addressed during in-service planning days and meetings held at the beginning of the school

year with the whole school staff. However, I do remember feeling underprepared and confused when we started having drills throughout the school year, which suggests that briefly mentioning these drill procedures for about less than an hour at a staff meeting was not sufficient to prepare a first-year teacher for any kind of situation. With the recent shooting at Uvalde, Texas our principal did invite security police officers from the district to hold an informational session regarding school safety and security earlier in this school semester. Although addressing this issue is imperative (and honestly this is more than other schools or administration that do not value or address these issues AT ALL) and the session gave me a lot to think about, I personally did not feel like I left the meeting with anything tangible, such as strategies to increase security or how to ensure the safety of ourselves and our kids more efficiently. There also has been a lot of changes to the safety policy this semester. For instance, at the beginning of the school year, we were expected to have our classroom doors unlocked, but always closed. In the following weeks, we were expected to have our classroom doors locked, but propped open. These policy changes have not been effectively and clearly communicated and only caused confusion among staff.

Does your school have any orientations for teachers before the academic semester starts?

I believe all Metro Nashville Public Schools (MNPS) are required to have a certain number of fire drills, lockdown drills, and severe weather drills per semester by the district (I think 2-3 times per drill per semester). Our school is a part of MNPS, so we do hold these three types of drills throughout the school year. During a fire drill, everyone is expected to leave the school building and we gather around the field in front of our school building. During a lockdown drill, we are expected to lock our classroom doors, close the window blinds, turn off the lights, gather at a hard corner (away from windows where we can be seen), and remain quiet. During a severe weather drill, students are expected to gather in the hallway away from the window, crouching down with their heads covered with their arms.

Approximately, from what year do students fully understand the drills and the necessity of the practices?

Since the whole school from Pre-K through 4th grade participates in these drills several times throughout the school year, students are generally speaking very familiar with the procedures and follow them very well. Most of my students by the time they

get to 3rd grade have had a lot of practice with these drills. One thing that I personally try to do is having short conversations with the students after the drill happens to talk about why we do these drills and why they are important. We talk about how although these practices are not real situations, we need to treat them like one because that will help us know exactly what to do when a real situation arises. There was one time last month where some of my students were giggling and not staying quiet during the lockdown drill, so I brought up the Uvalde shooting and unfortunately, how these situations happen in real life. My 3rd grade students were then able to fully understand the severity, necessity, and importance of these practices. Developmentally, fully comprehending the “why” behind these practices might not be appropriate for younger grades, but I would say students from 2nd-3rd grade and up are usually able to grasp the importance and “why” behind these drills.

Are the students educated about the evacuation map? Are teachers familiar with the maps in their rooms?

There are evacuation maps in every class (it is an expectation), but I personally did not get trained on how to read these evacuation maps and nor did the students. Looking at the evacuation map

more carefully, I did notice how confusing the evacuation map is laid out. Just by looking at the evacuation map, one would not be able to easily find the exit.

What can I do?

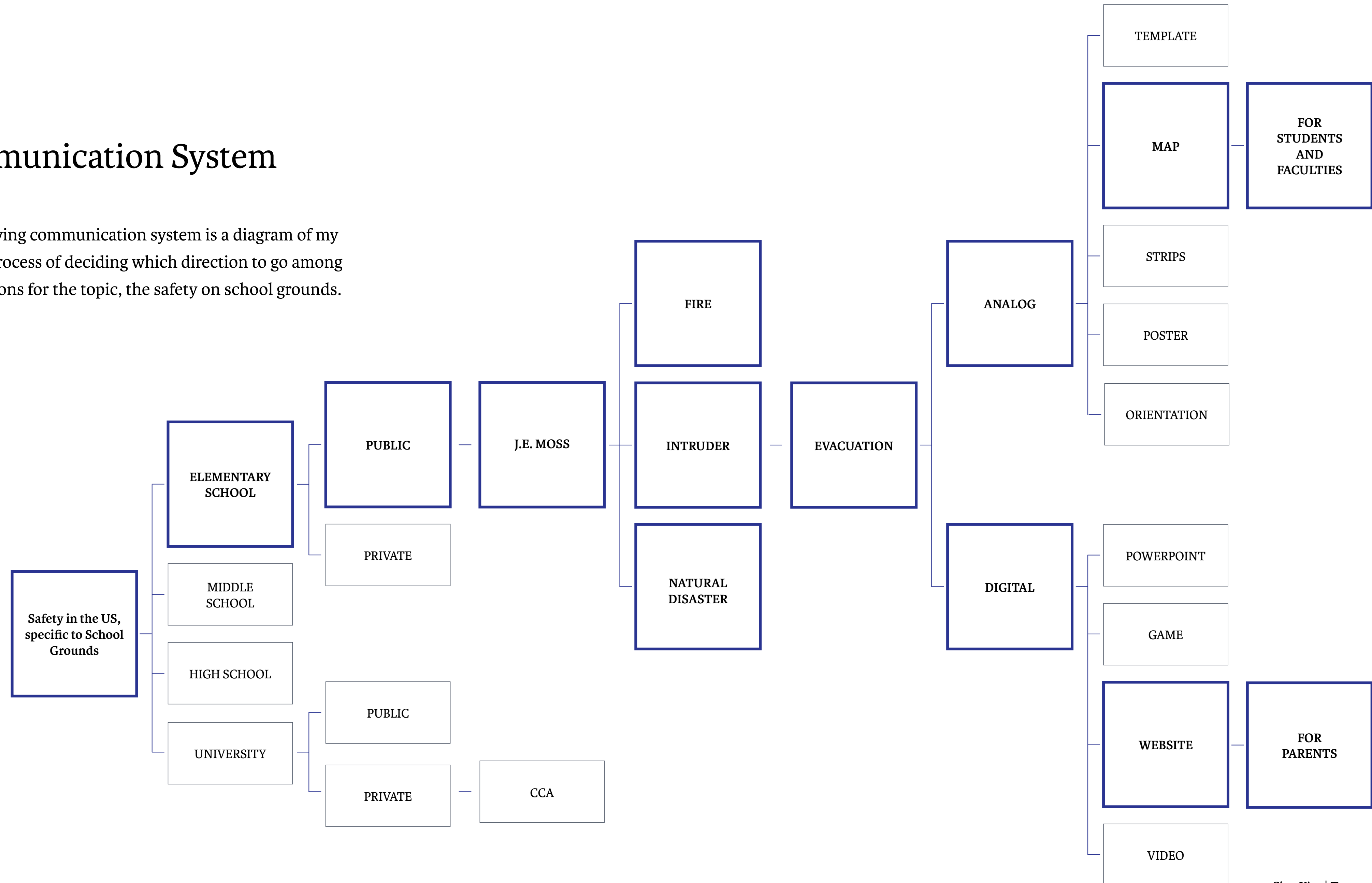
Deeply talking about the safety and security issues at school during the interview reminded me of my past schools and as I am currently a student, I thought about what I mostly sought in an emergency.

Orientations, a map, stirps or stickers that guides the way, a game to educate students, a video of the way out, and more ideas came into my mind from the perspective of a 3rd grader who is lost in an emergency evacuation.

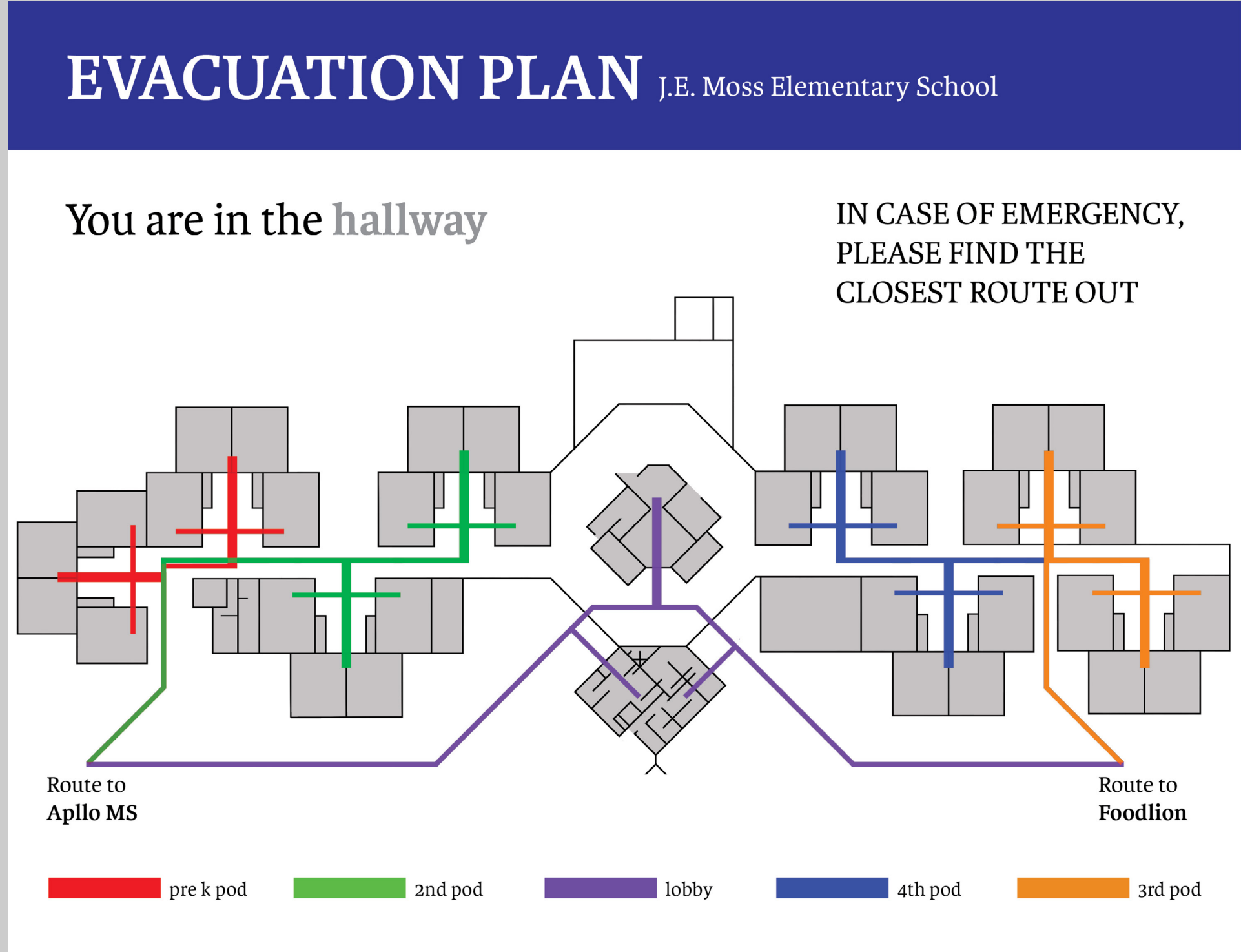
Among these ideas, I decided to make evacuation maps for children and a website for guardians.

Communication System

The following communication system is a diagram of my thought process of deciding which direction to go among other options for the topic, the safety on school grounds.



EVACUATION MAP



↑
Click to see the process

WEBSITE

ENGLISH ESPAÑOL

J.E. MOSS ELEMENTARY SCHOOL

Home Our School Programs & Activities Families Students

J.E. MOSS ELEMENTARY SCHOOL

Calendar Directory School Meals Transportation Service

The website header includes a language selector for English and Spanish, the school logo, and a navigation menu with links to Home, Our School, Programs & Activities, Families, and Students. Below the navigation is a large banner featuring a stylized horse head and the school name. At the bottom, there are five icons representing different school services: Calendar, Directory, School Meals, Transportation, and Service.

↑
Click to see the process

What exists?

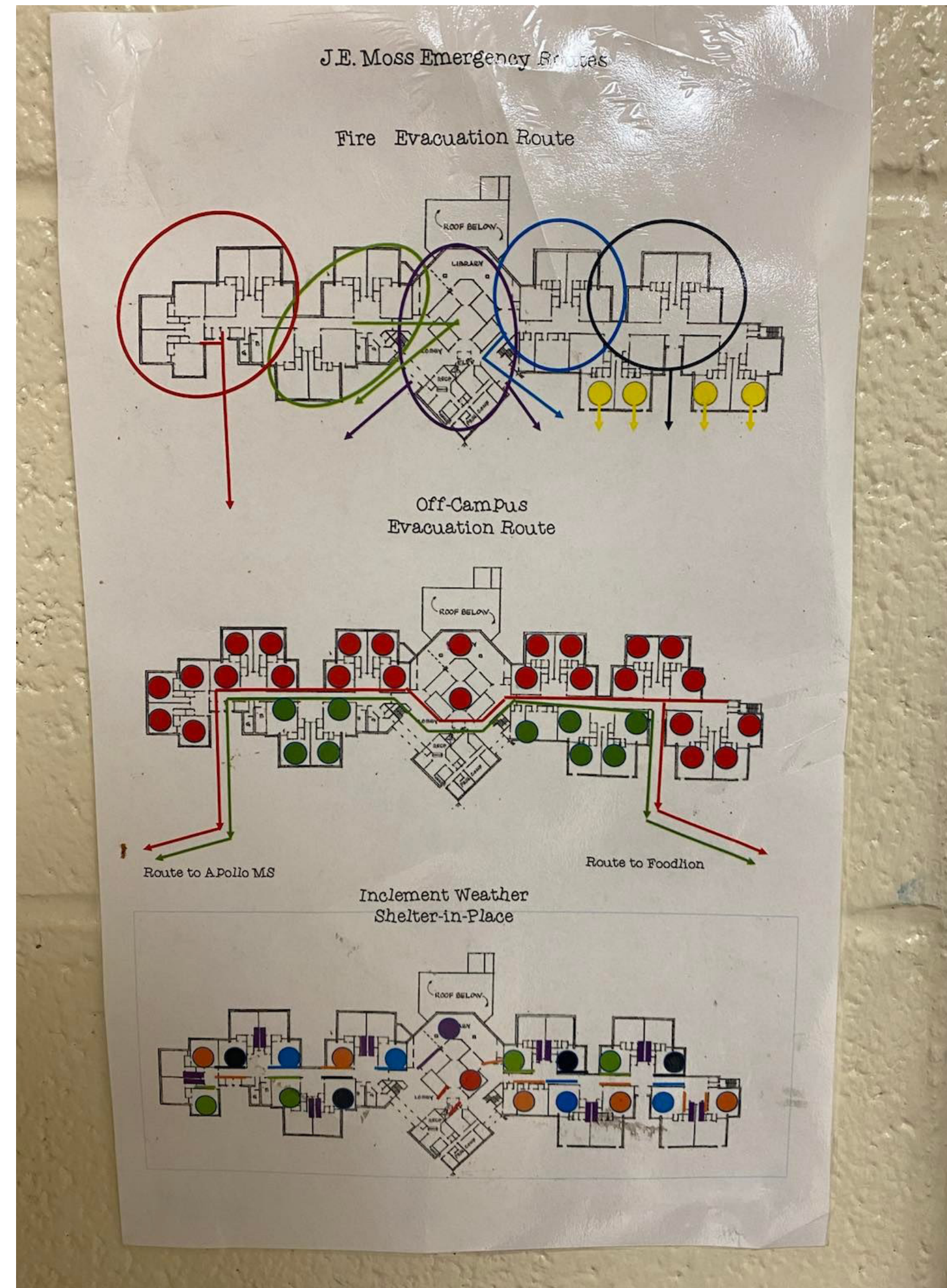
This map on the right is the original map, located in every classroom doors and on the hallways. There are orientations and practices annually, however, this map is new to the faculties. This map is not used during the orientation and it takes time to understand this map properly.

What changes can I make?

There is no **key** to explain the complex color codings and the arrows that points at different directions per map.

Three different maps under three different situations are just too confusing for students at age, 4–10.

Most students in J.E. Moss Elementary School are not familiar with English, but are familiar to **Spanish**.



Analysis of the existing map

What does the colors represent?

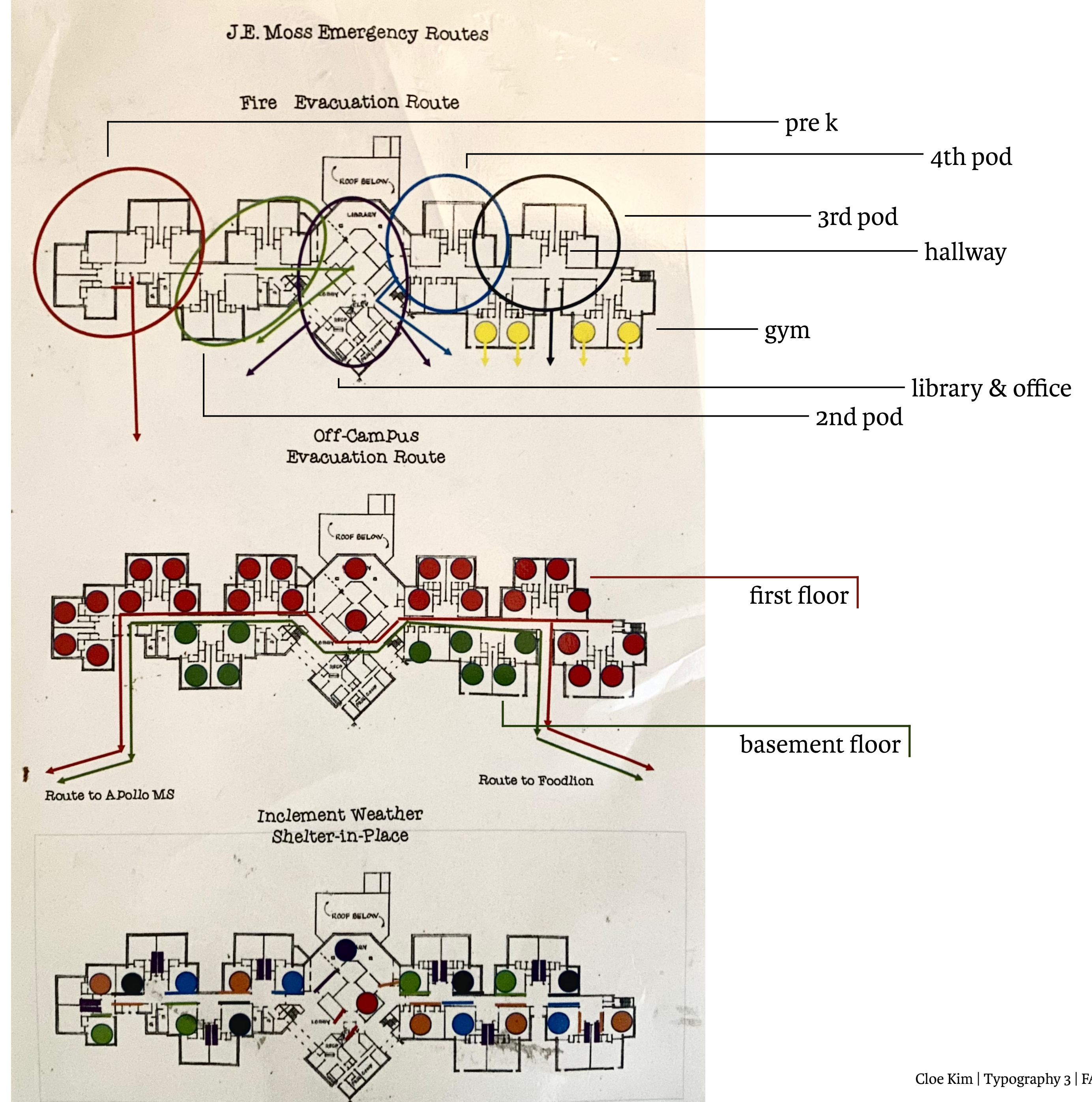
Each colors represent the separate grade pods, from grades pre k to 4th.

What are the circles?

The red circles are classrooms located on the first floor, while the green circles are classrooms located on the basement floor.

What are the bars indicating?

The color coded bars are where the faculty and the students gather in case of an inclement weather. If you see closely, you can see pairs of the same colors of the circles and the bars.



References

These are the maps I've researched, analyzed, and inspired by.

The very left map is an evacuation plan from a hospital, and I thought the big, bold, and colored words were the key to focus on, as it catches the attention at a glance.

EVACUATION PLAN

You are in **Moffitt Long Hospital**

505 Parnassus Ave. Floor 1



**CALL 9-911
FIRE/POLICE/
MEDICAL**

-  Stairs
-  Exit
-  Elevator
-  Fire Extinguisher
-  Fire Alarm Pull Station
Alarm will sound as chimes and strobe lights will flash. Listen for instructions.

 **IN FIRE EMERGENCY DO NOT USE ELEVATOR. USE EXIT STAIRS.**

PERSONS WITH DISABILITIES

 **SHALL CALL 9-911, REPORT THEIR LOCATION, PROCEED TO THE NEAREST EXIT STAIRWELL AND AWAIT ASSISTANCE.**

UCSF Health Safety Office. "Evacuation Routes." Safety Security EM, <https://safety.ucsf.edu/evacuation-routes>.

FIRE ESCAPE PLAN

Aintree University Hospitals  NHS Foundation Trust

Where quality matters

The Elective Care Centre

Ground Floor

FIRE ACTION NOTICE

ON DISCOVERY OR SUSPICION OF FIRE


- Open the nearest fire alarm call point
- Dial 2222 on internal phone, return telephone operator of exact location of fire
- Attack fire using available appliance
- Evacuate
- Proceed to the assembly point at:


GRASSED AREA OPPOSITE


ON HEARING THE ALARM

- Continue alarm - Evacuate premises
- Remain calm - Alert signal - Stand by
- Should evacuation become necessary, instructions will be given by the senior official in charge

LEGEND

 You are here

 Fire exit

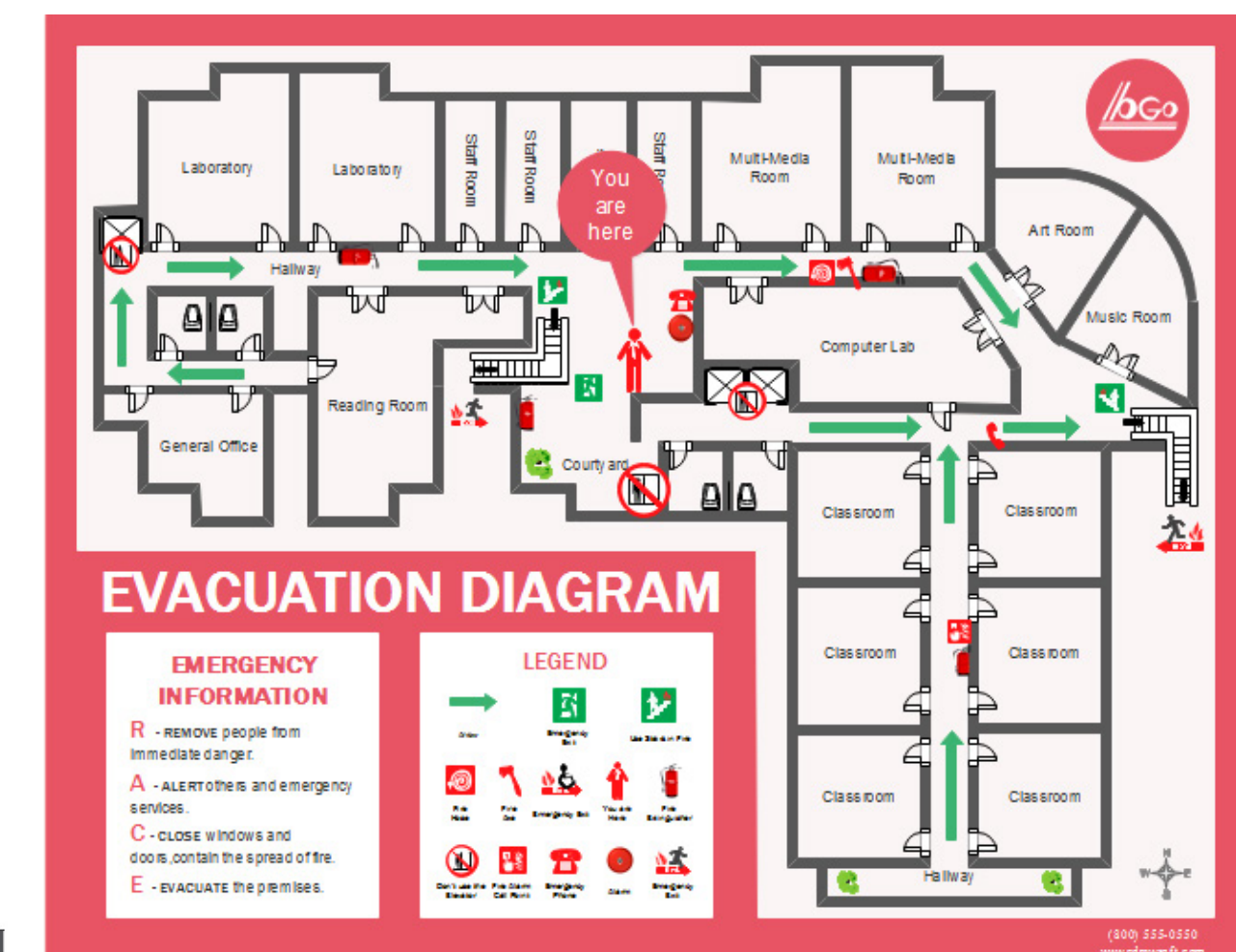
 Assembly point

 Fire extinguisher

 Fire alarm call point



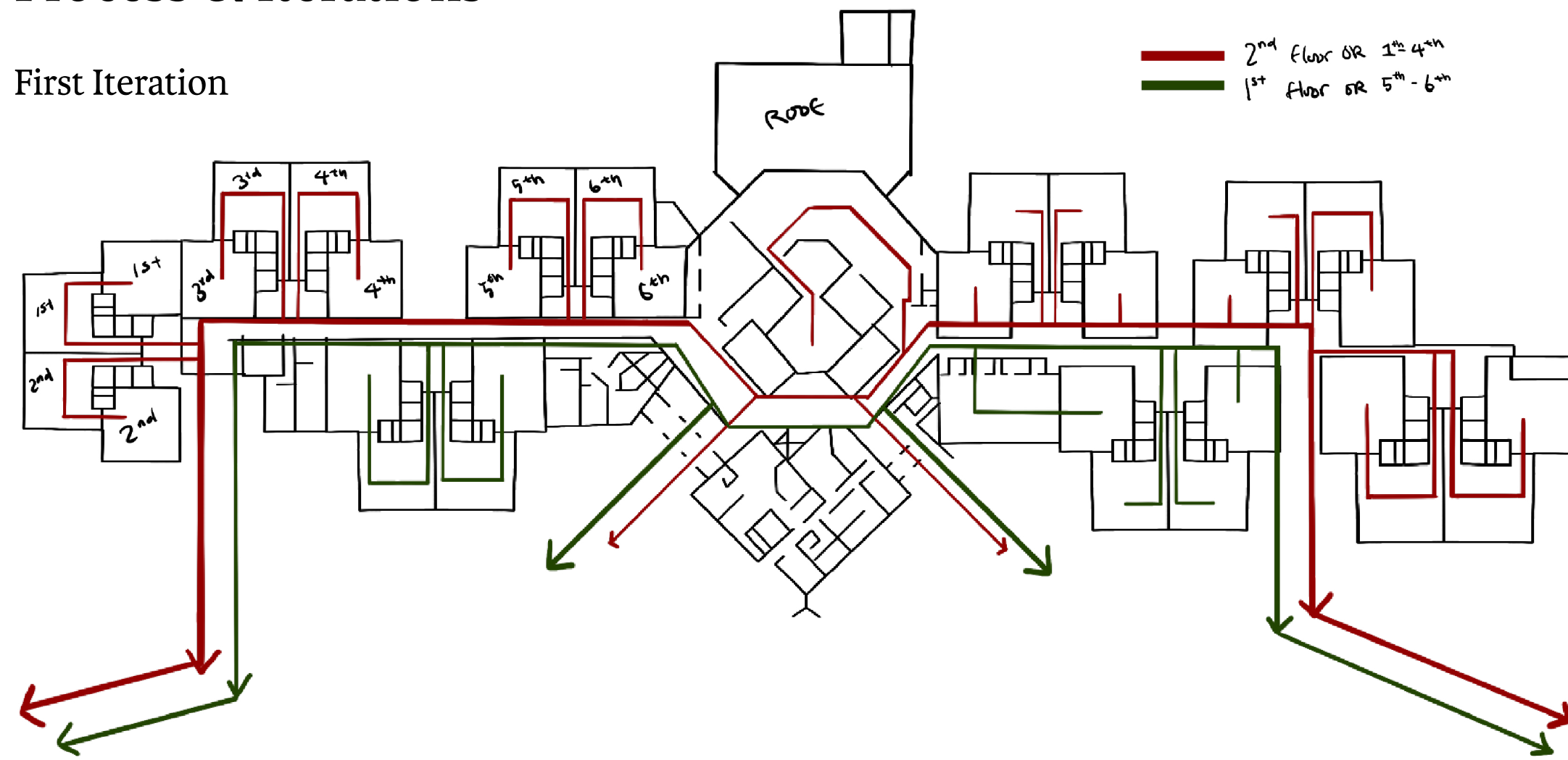
Tarlungco, Jona. "What You Need to Know about Fire Safety Plan." SafetyCulture, 22 Nov. 2022, <https://safetyculture.com/topics/fire-safety-plan/>.



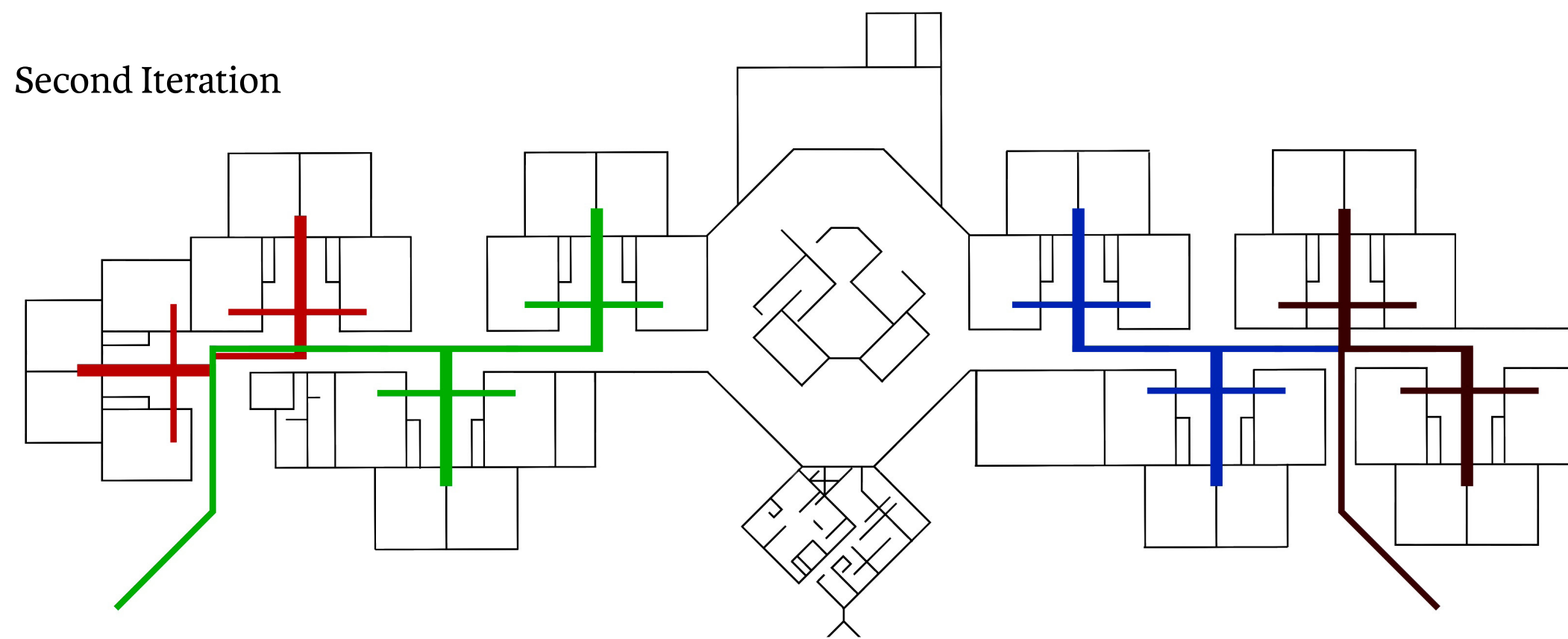
"Colored Evacuation Plan Template." Edraw, <https://www.edrawsoft.com/template-colored-evacuation-plan.html>.

Process & Iterations

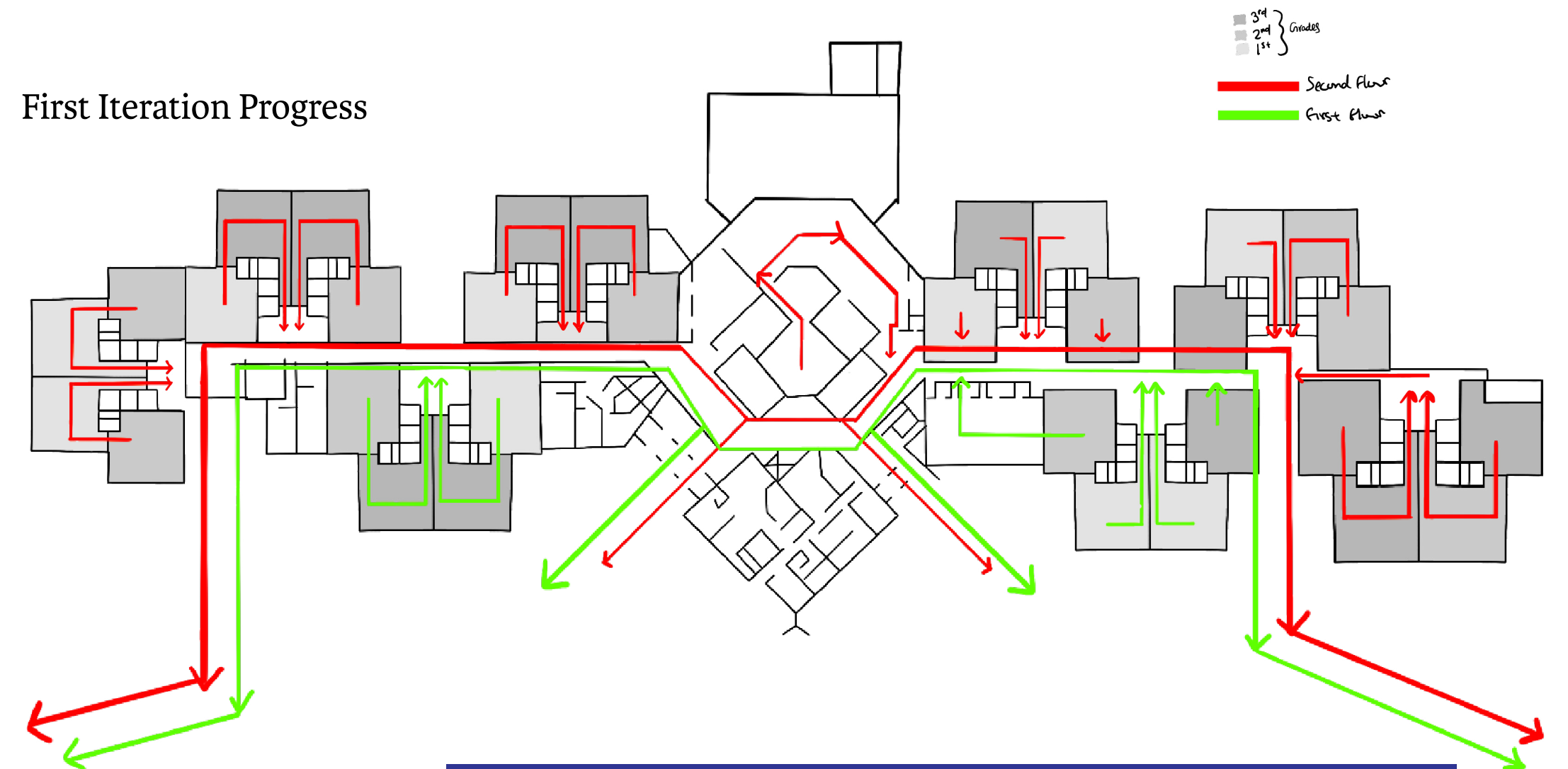
First Iteration



Second Iteration



First Iteration Progress



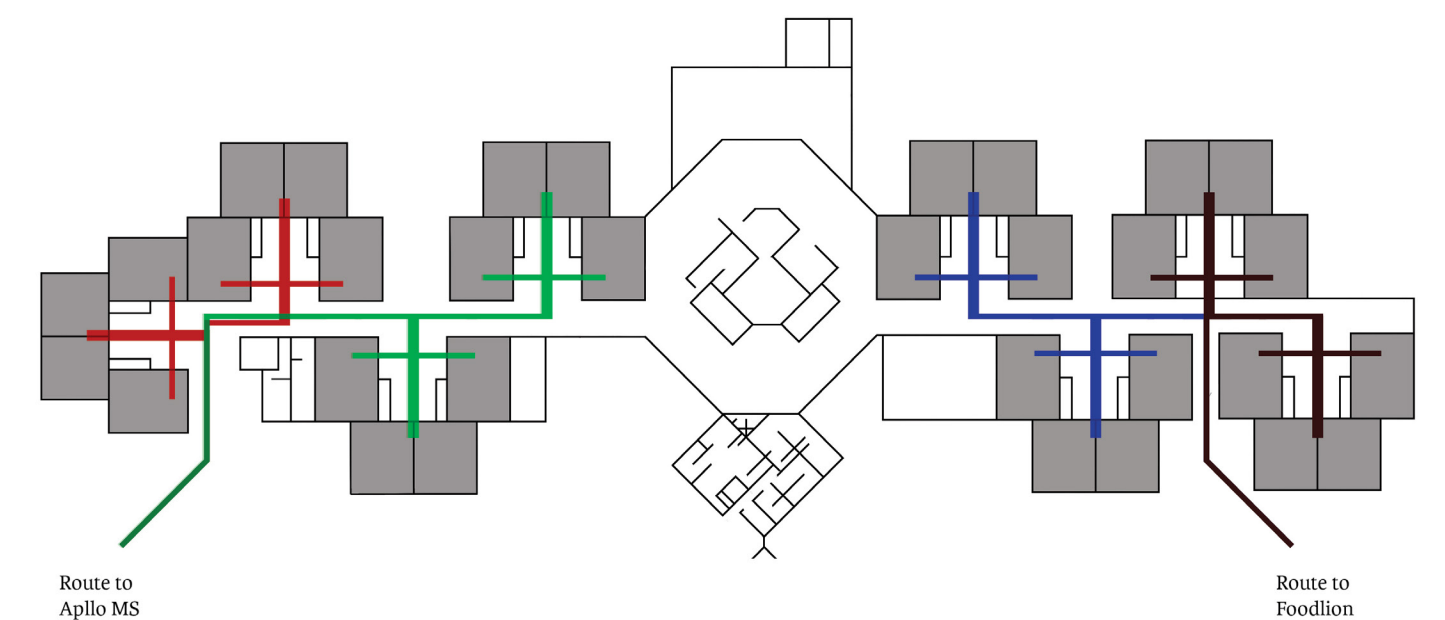
Second Iteration Progress

EVACUATION PLAN

J.E. Moss Elementary School
 You are in the **hallway**

IN CASE OF FIRE,
 PLEASE FIND
 THE CLOSEST
 ROUTE OUT

— pre k pod
— 2nd pod
— 4th pod
— 3rd pod

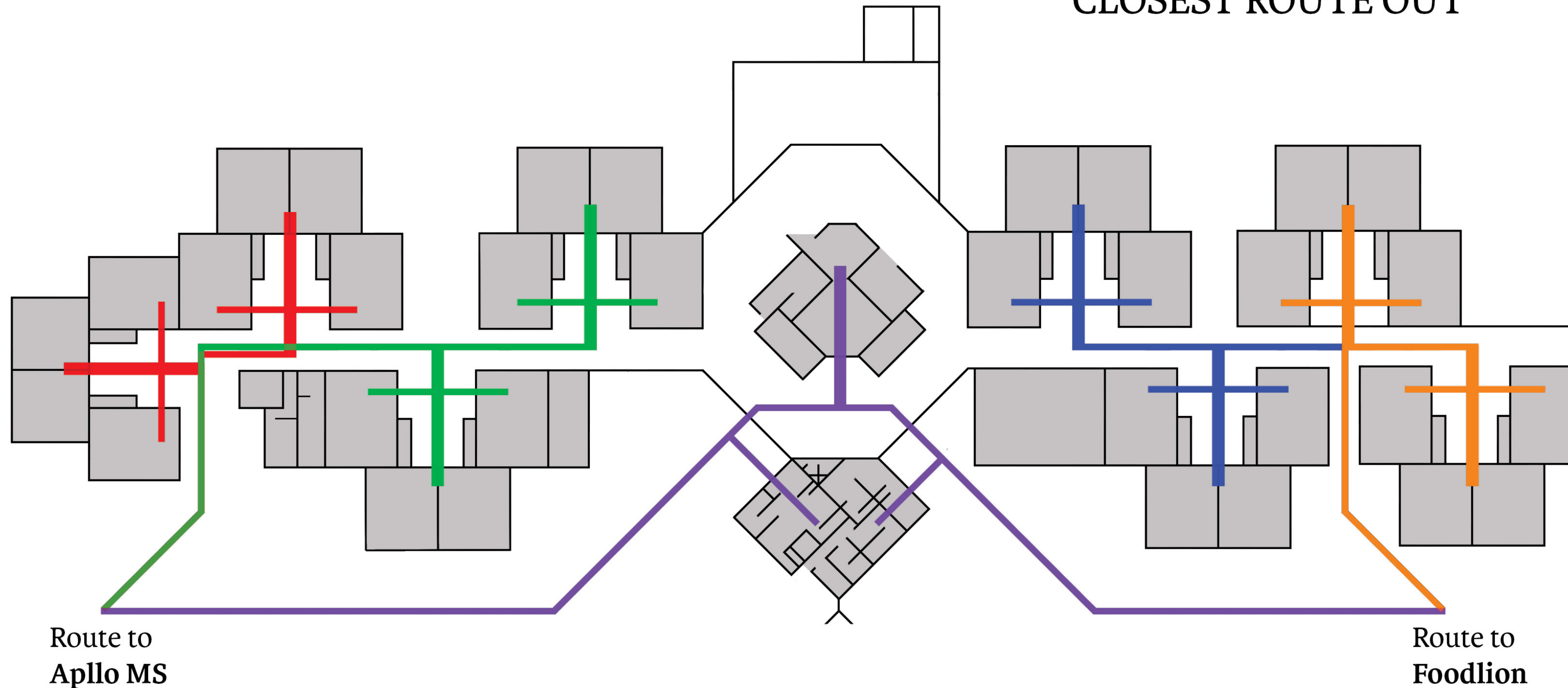


EVACUATION PLAN

J.E. Moss Elementary School

You are in the hallway

IN CASE OF EMERGENCY,
PLEASE FIND THE
CLOSEST ROUTE OUT



Route to
Apollo MS

Route to
Foodlion

Route to Apollo MS: pre k pod, 2nd pod, lobby, 4th pod, 3rd pod

EVACUATION PLAN

The evacuation maps will be located on the walls of every classroom, in hallways, and the lobby near the office.

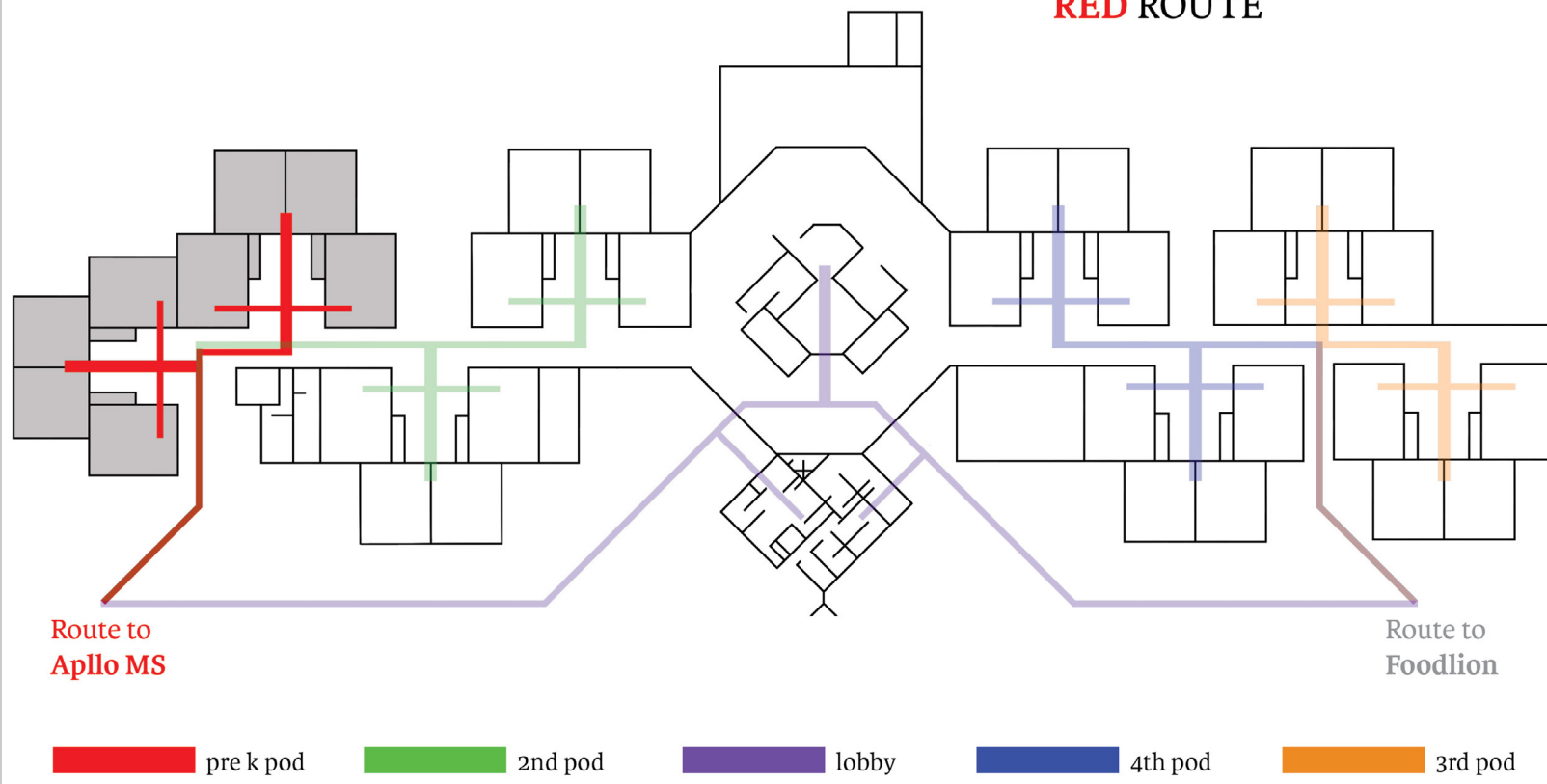
As the audience or the people who will utilize the map are children, ages 4–10, I've color coded and matched the important information, with the same colors, such as the location, the route, and the final destinations.

On the next slide, you can see more evacuation plans according to the locations.

EVACUATION PLAN J.E. Moss Elementary School

You are in the **pre k pod**

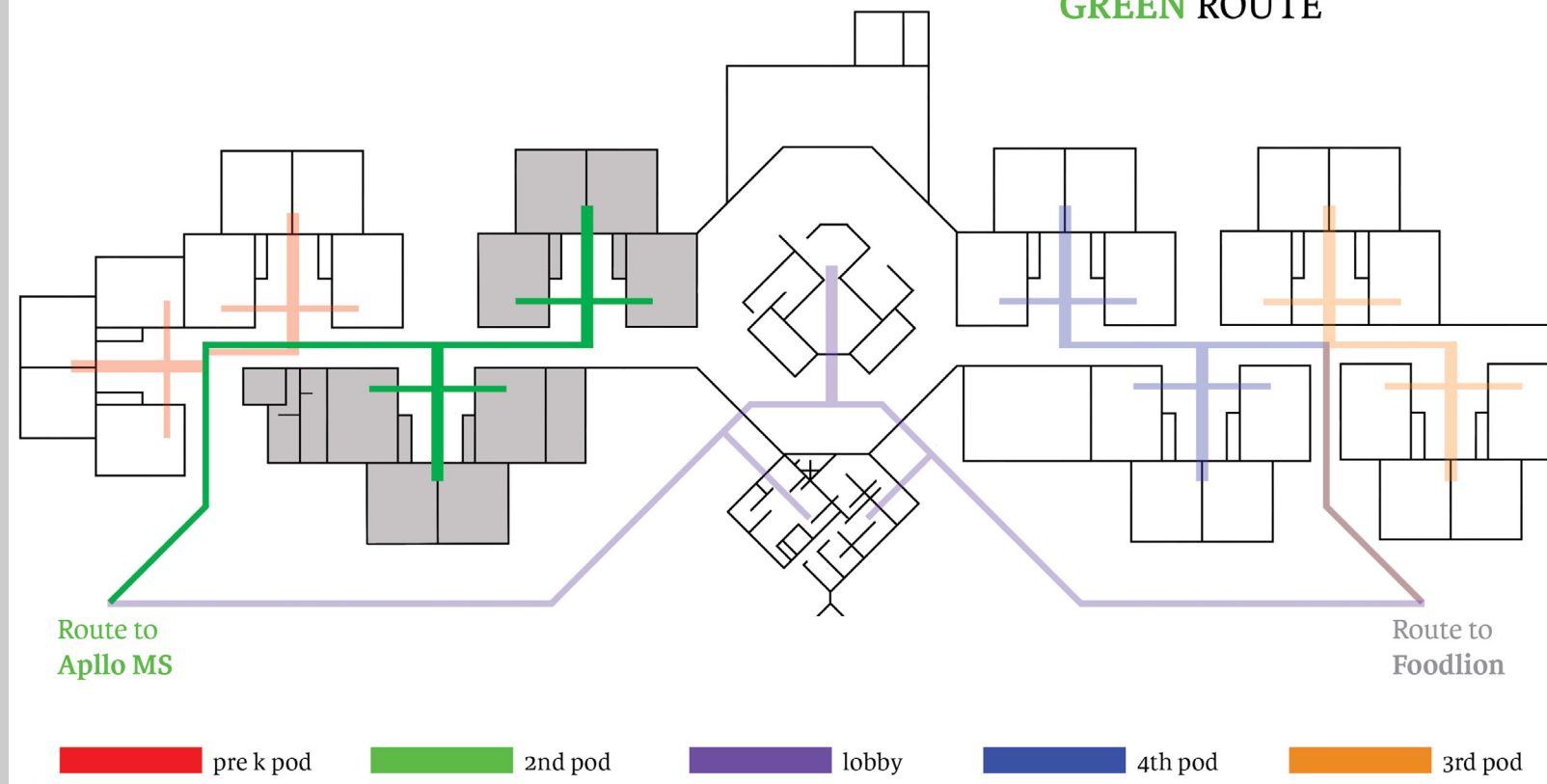
IN CASE OF EMERGENCY,
PLEASE FOLLOW THE
RED ROUTE



EVACUATION PLAN J.E. Moss Elementary School

You are in the **2nd grade pod**

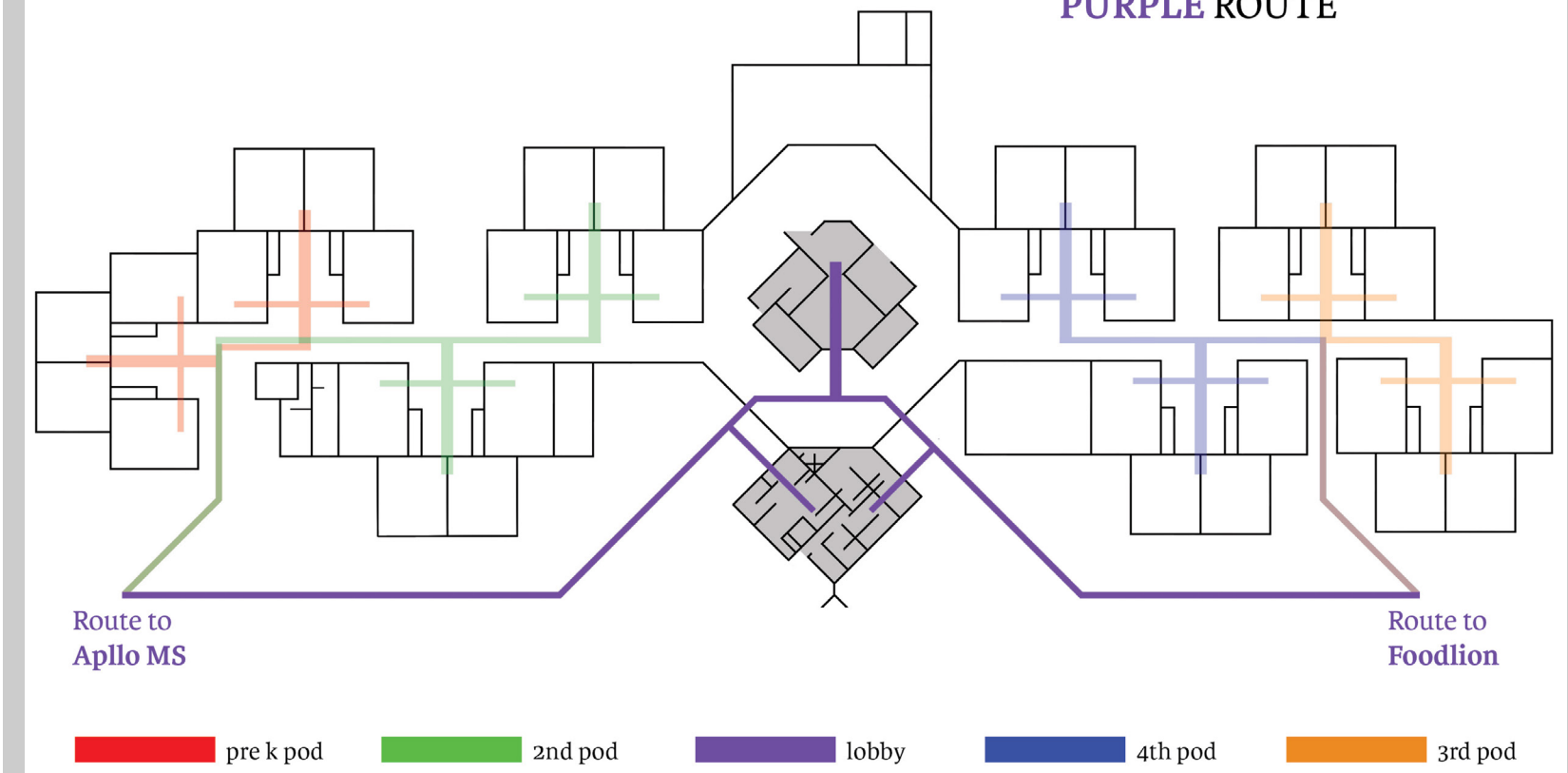
IN CASE OF EMERGENCY,
PLEASE FOLLOW THE
GREEN ROUTE



EVACUATION PLAN J.E. Moss Elementary School

You are in the **lobby**

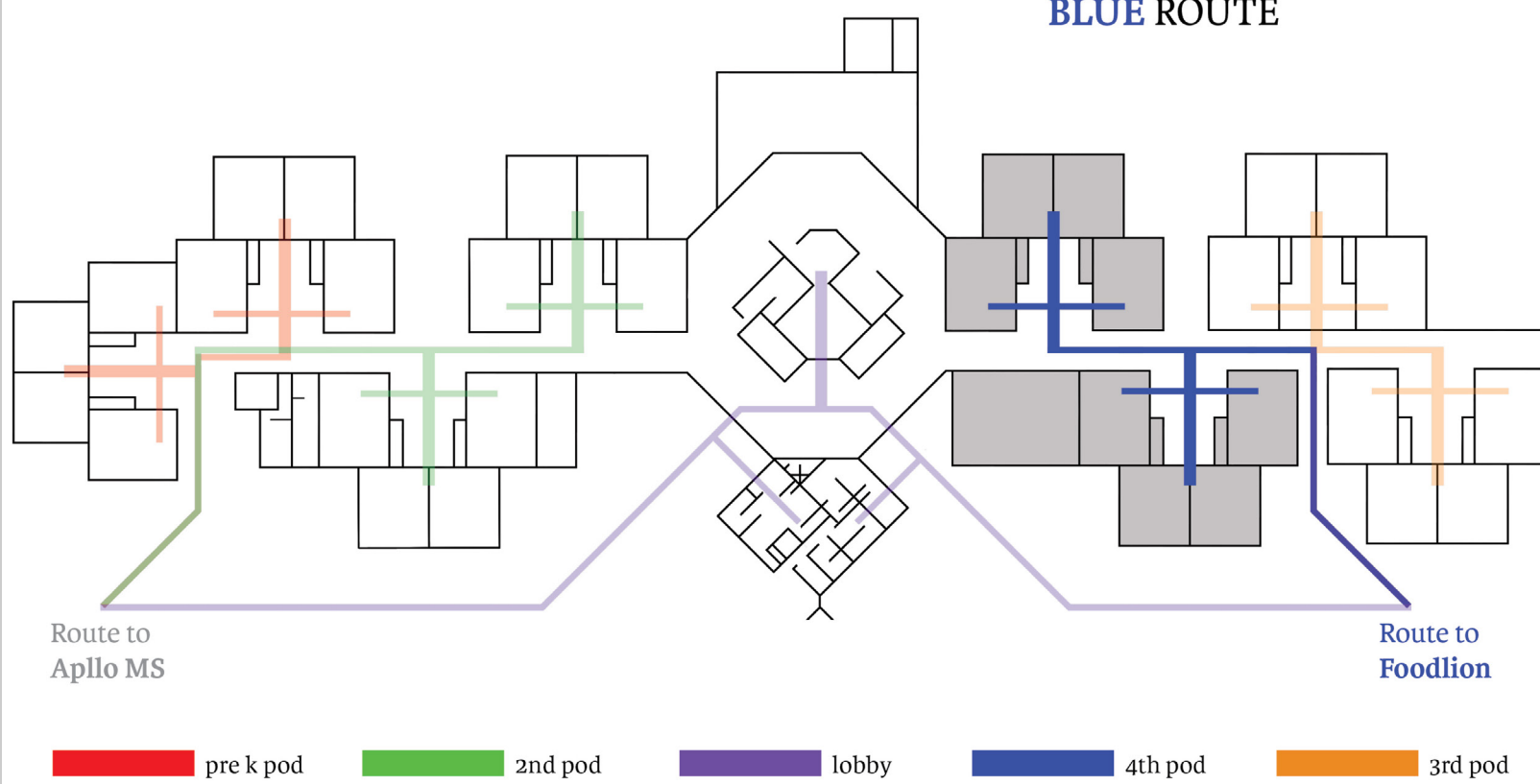
IN CASE OF EMERGENCY,
PLEASE FOLLOW THE
PURPLE ROUTE



EVACUATION PLAN J.E. Moss Elementary School

You are in the **4th grade pod**

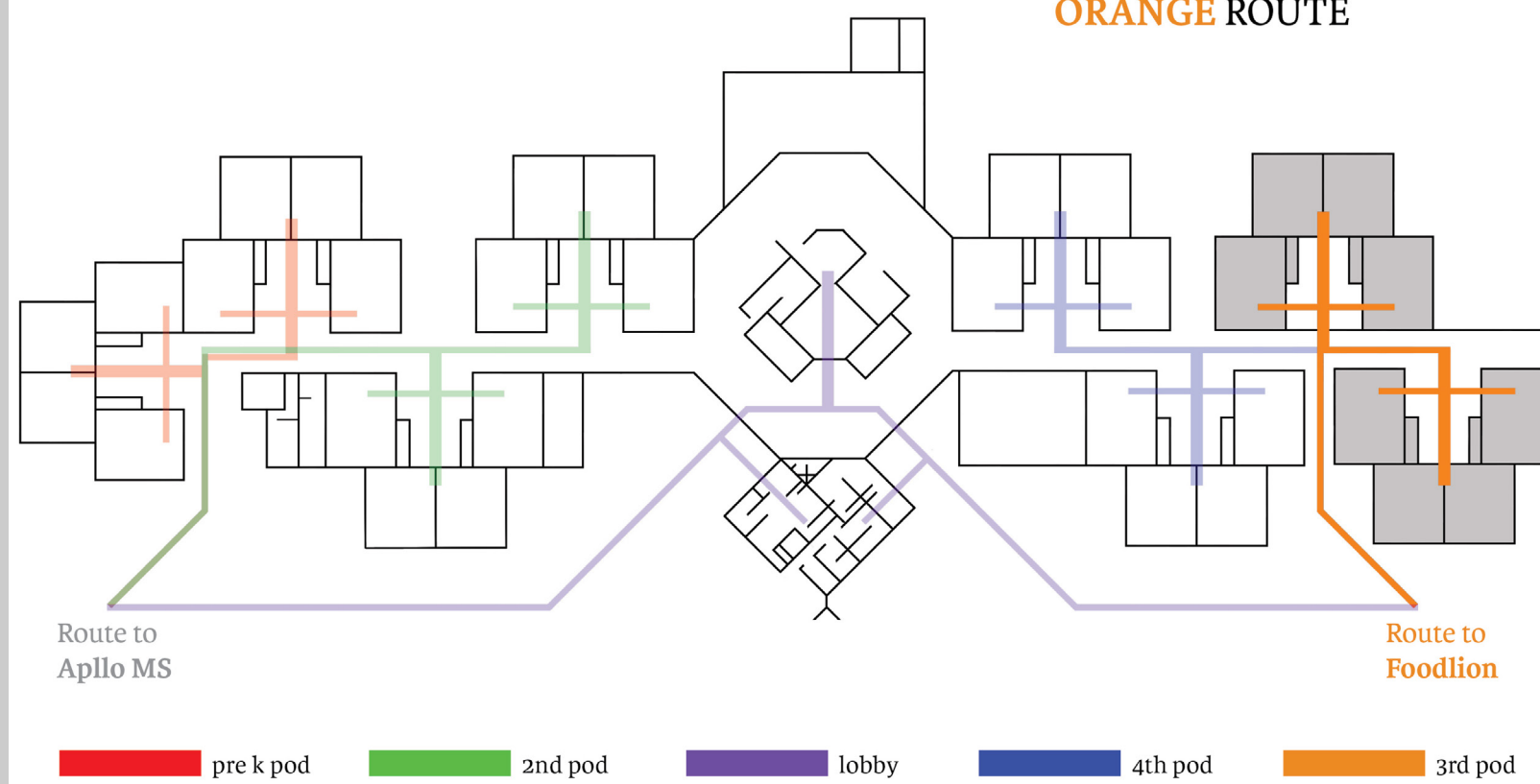
IN CASE OF EMERGENCY,
PLEASE FOLLOW THE
BLUE ROUTE



EVACUATION PLAN J.E. Moss Elementary School

You are in the **3rd grade pod**

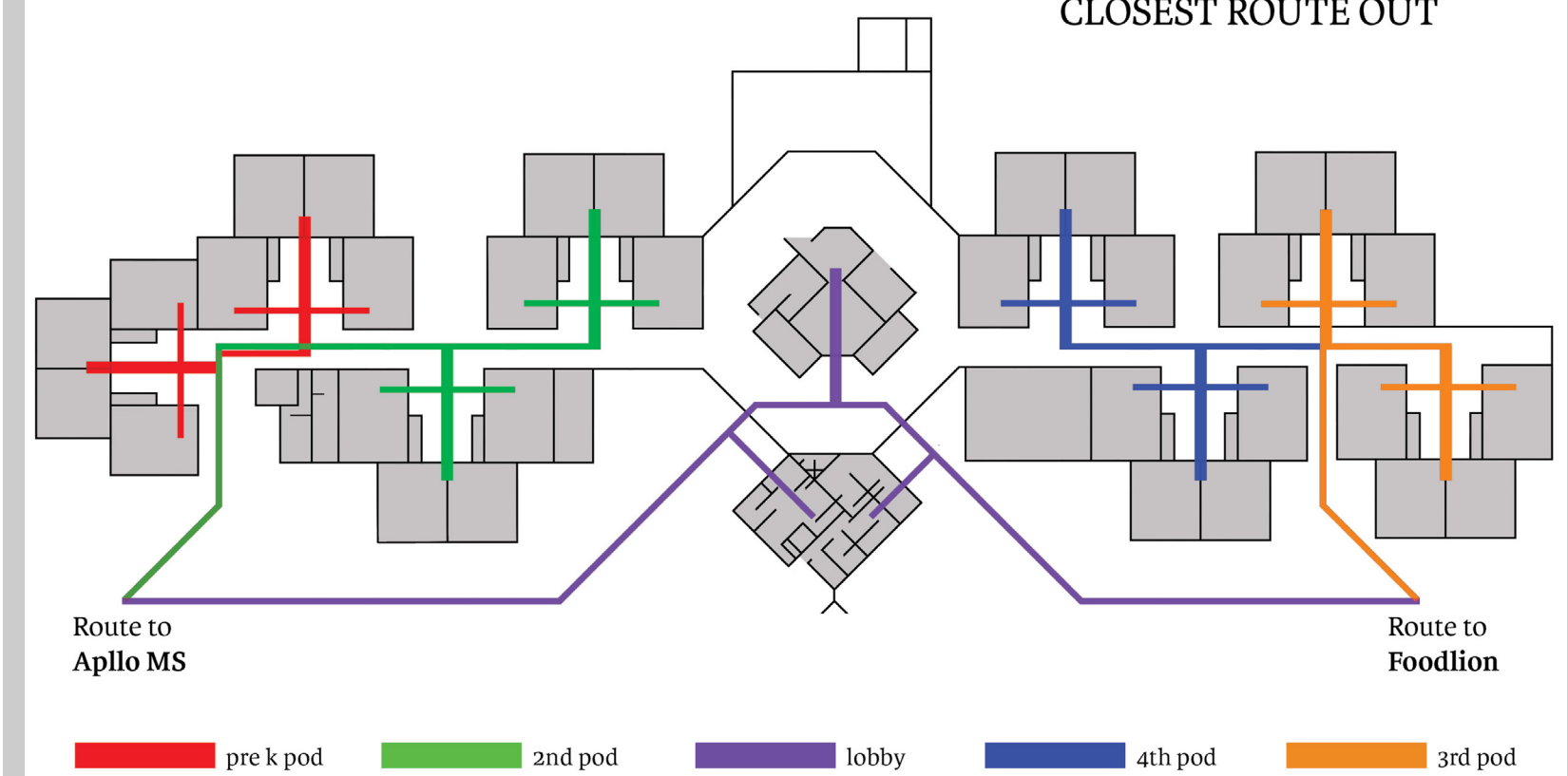
IN CASE OF EMERGENCY,
PLEASE FOLLOW THE
ORANGE ROUTE



EVACUATION PLAN J.E. Moss Elementary School

You are in the **hallway**

IN CASE OF EMERGENCY,
PLEASE FIND THE
CLOSEST ROUTE OUT

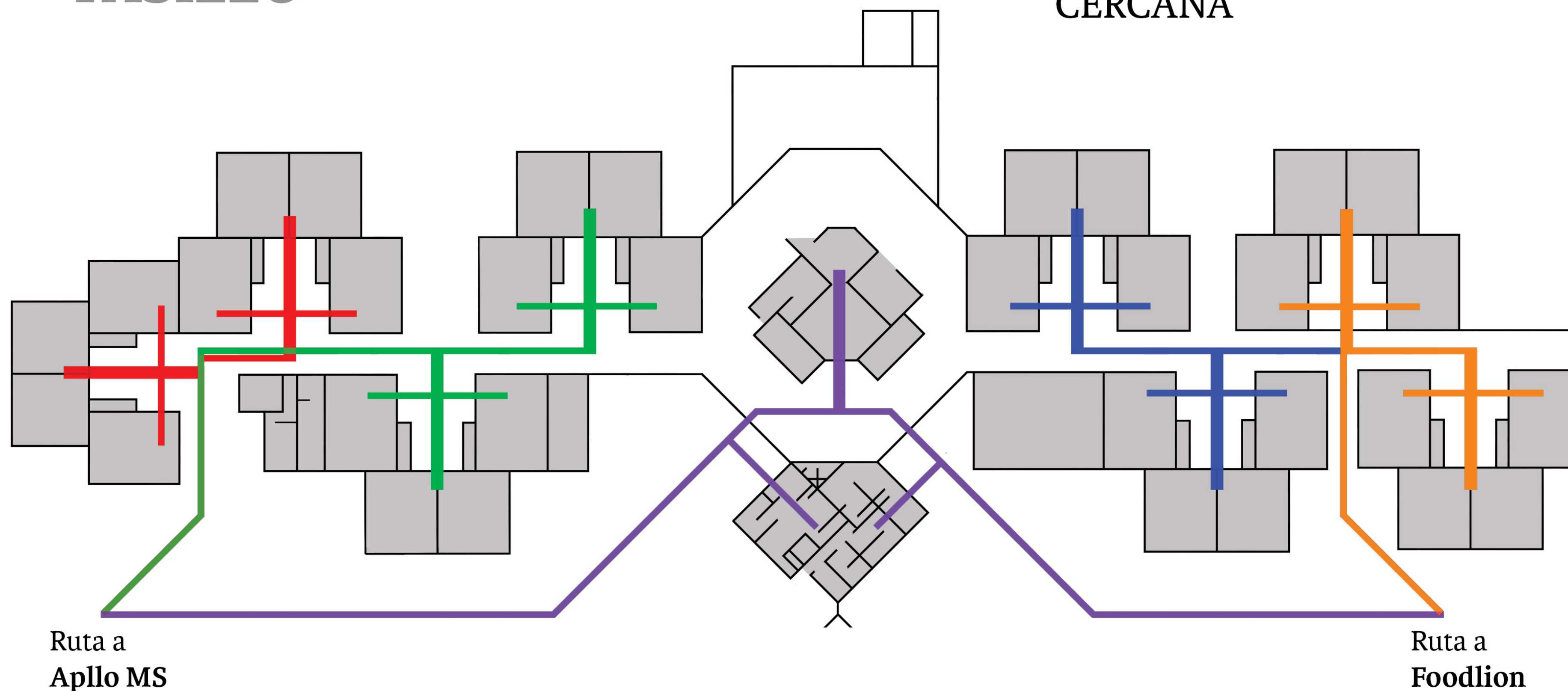


PLAN DE EVACUACIÓN

J.E. Moss Elementary School

ESTÁS EN EL ÁREA DE PASILLO

EN CASO DE EMERGENCIA, ENCUENTRE LA RUTA MÁS CERCANA



Ruta a Apllo MS

Ruta a Foodlion

pre k

segundo

vestíbulo

cuarto

tercer

PLAN DE EVACUACIÓN

Most students in J.E. Moss Elementary School are more familiar with Spanish rather than English. I thought seeing instructions in their first language in an emergency was more beneficial and crucial as delivering the route out at a glance was the purpose of an evacuation map.

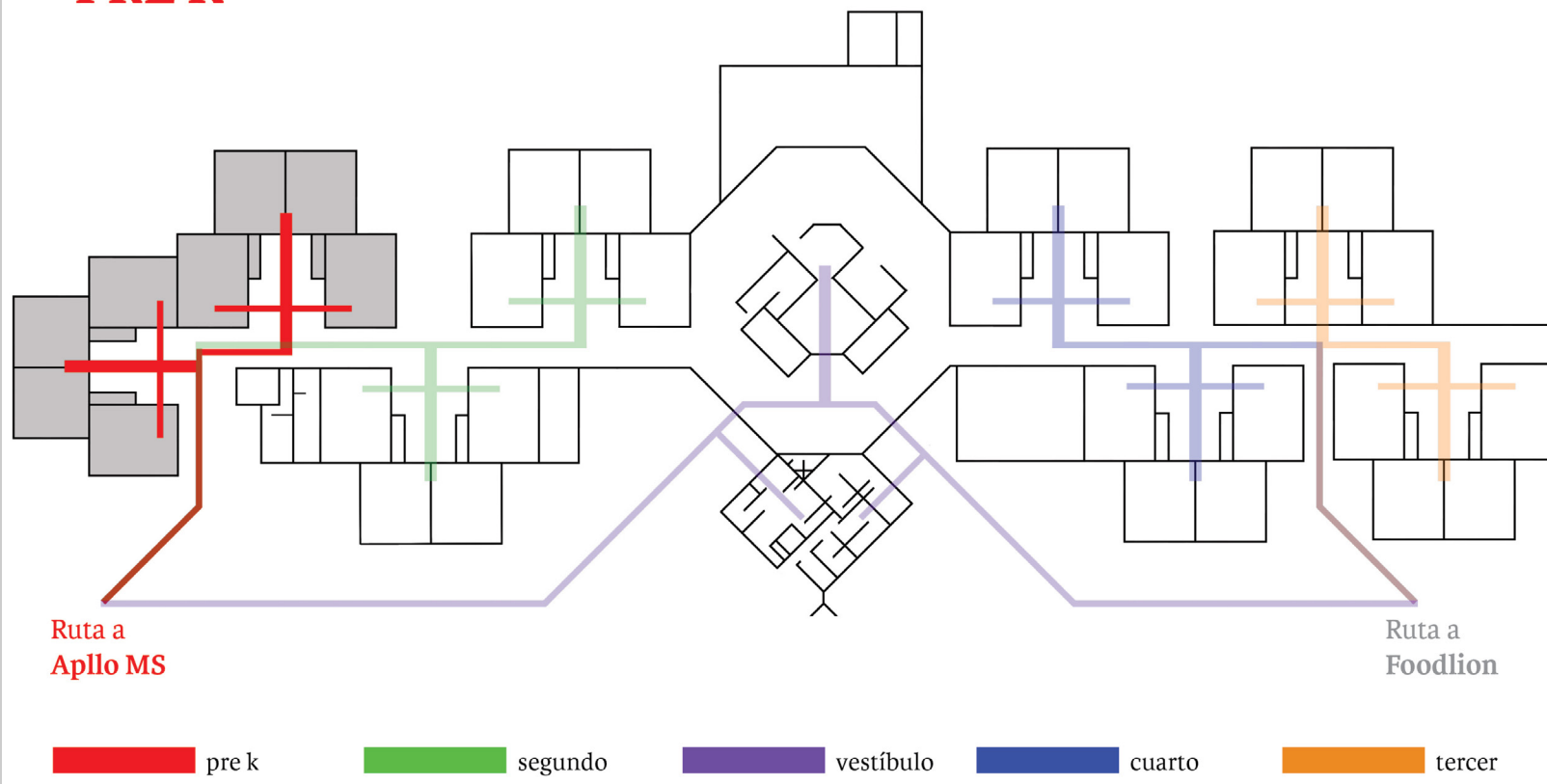
On the next slide, you can see more evacuation plans according to the locations.

PLAN DE EVACUACIÓN

J.E. Moss Elementary School

ESTÁS EN EL ÁREA DE
PRE K

EN CASO DE EMERGENCIA,
SIGA LA RUTA **ROJA**

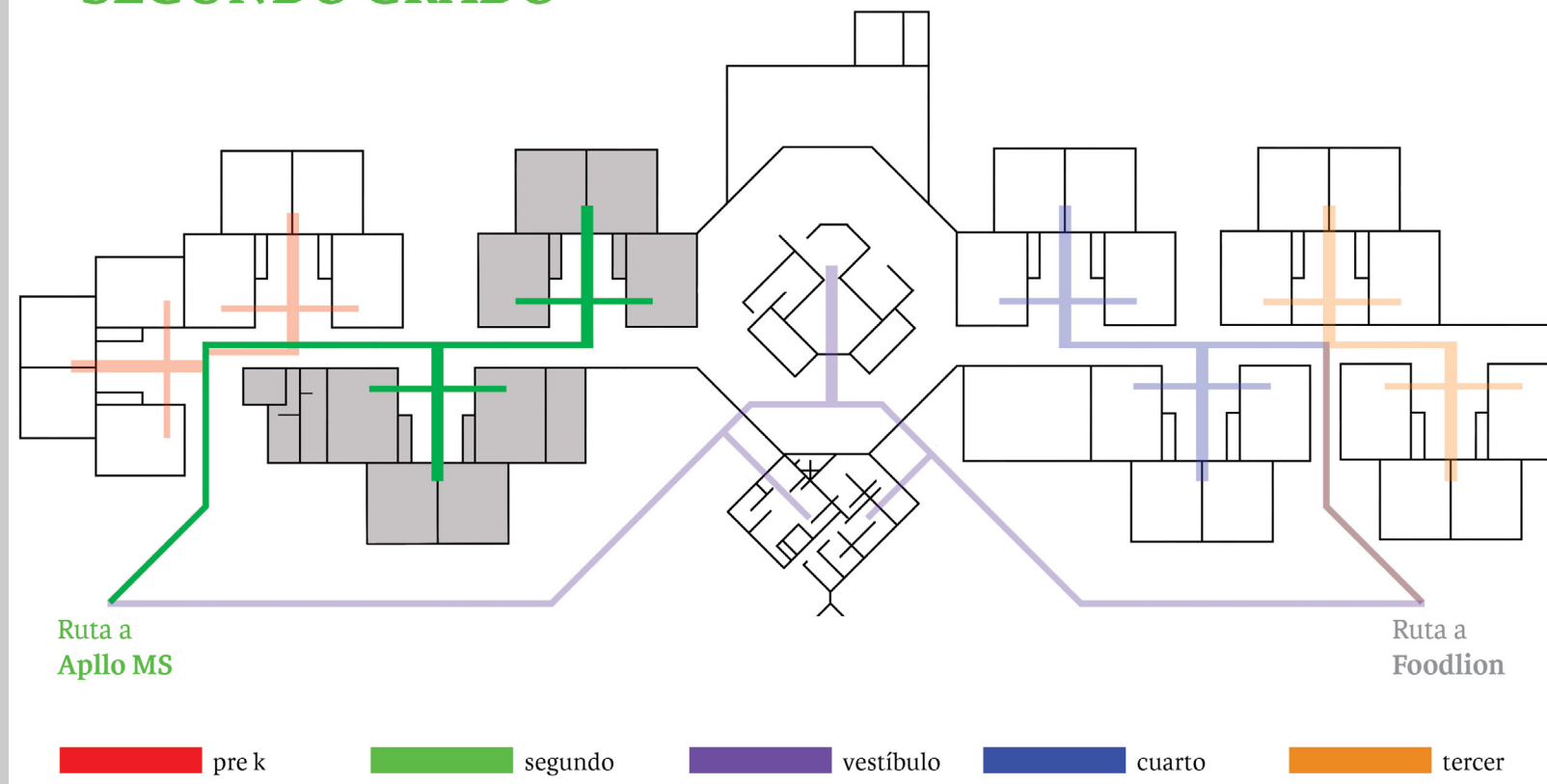


PLAN DE EVACUACIÓN

J.E. Moss Elementary School

ESTÁS EN EL ÁREA DE
SEGUNDO GRADO

EN CASO DE EMERGENCIA,
SIGA LA RUTA **VERDE**

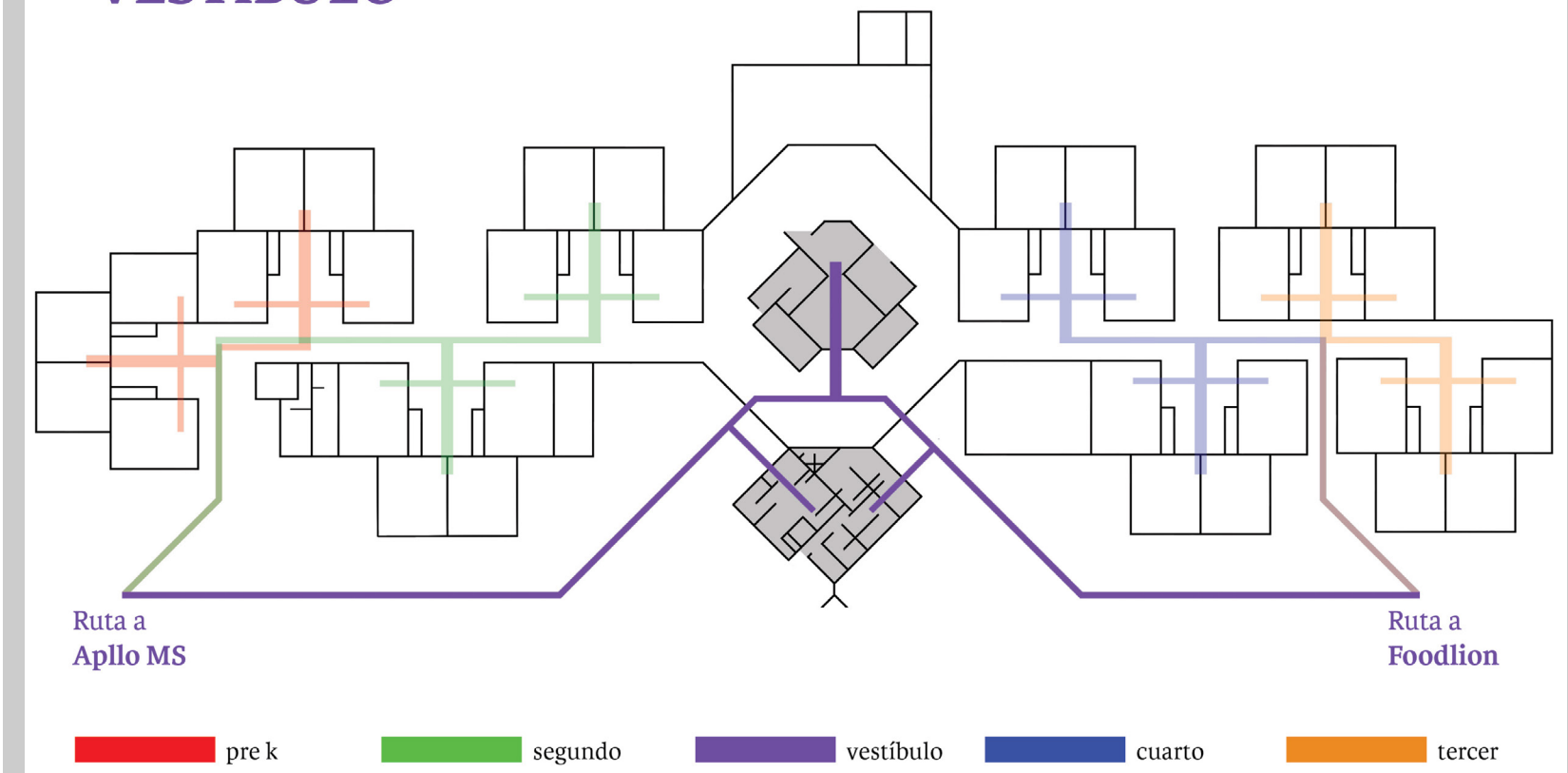


PLAN DE EVACUACIÓN

J.E. Moss Elementary School

ESTÁS EN EL
VESTÍBULO

EN CASO DE EMERGENCIA,
SIGA LA RUTA **VIOLETA**

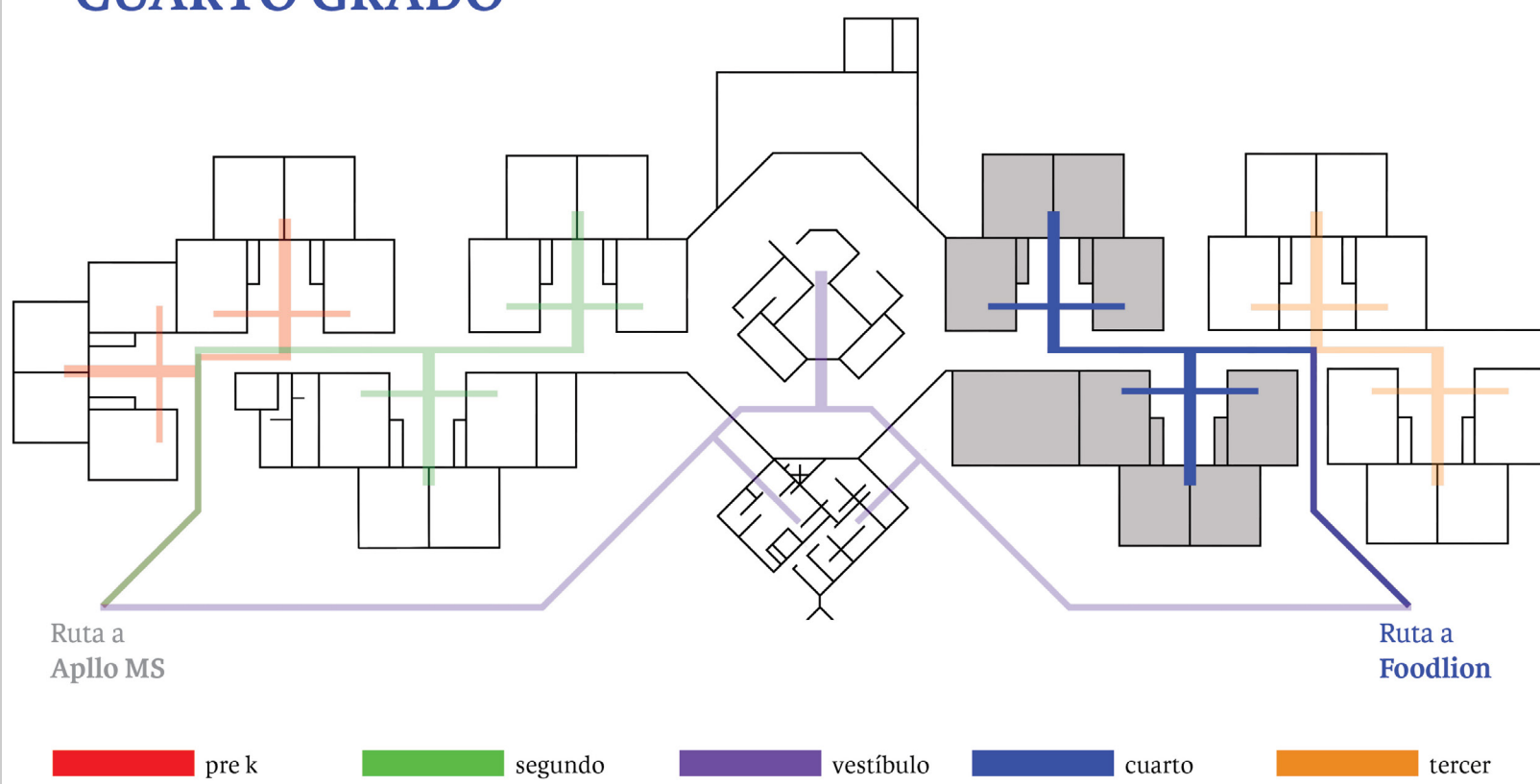


PLAN DE EVACUACIÓN

J.E. Moss Elementary School

ESTÁS EN EL ÁREA DE
CUARTO GRADO

EN CASO DE EMERGENCIA,
SIGA LA RUTA **AZUL**

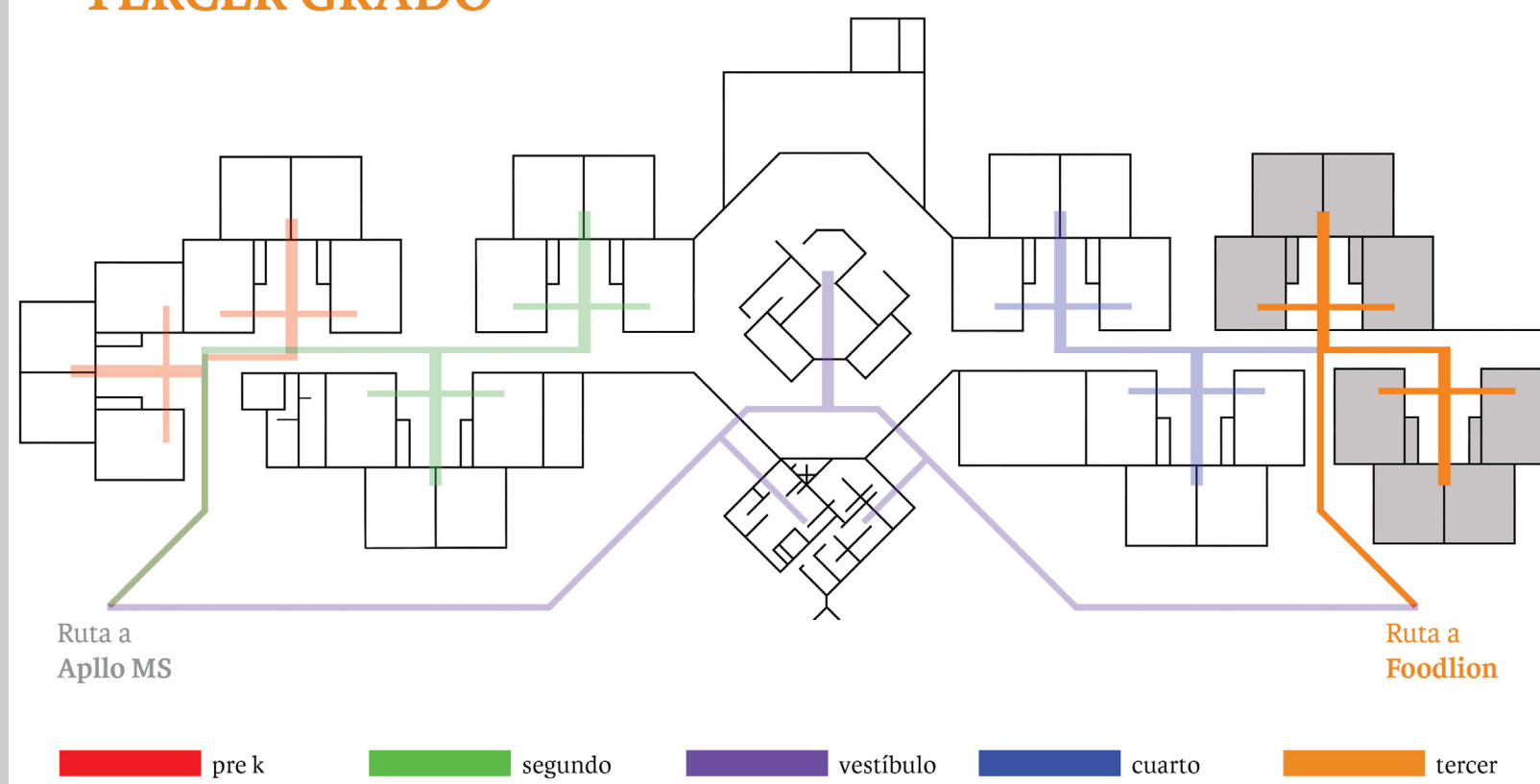


PLAN DE EVACUACIÓN

J.E. Moss Elementary School

ESTÁS EN EL ÁREA DE
TERCER GRADO

EN CASO DE EMERGENCIA,
SIGA LA RUTA **NARANJA**

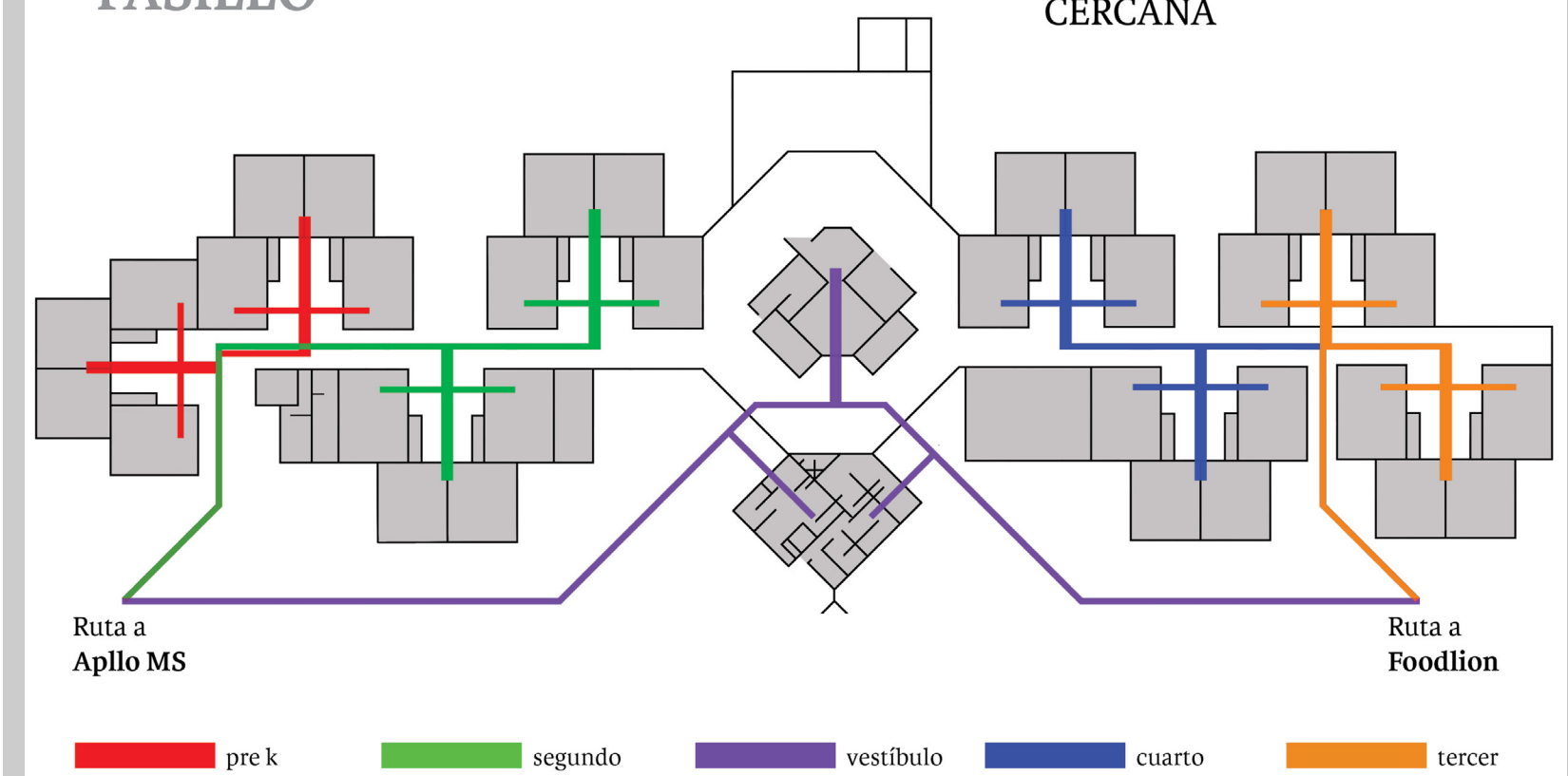


PLAN DE EVACUACIÓN

J.E. Moss Elementary School

ESTÁS EN EL ÁREA DE
PASILLO

EN CASO DE EMERGENCIA,
ENCUENTRE LA RUTA MÁS
CERCANA



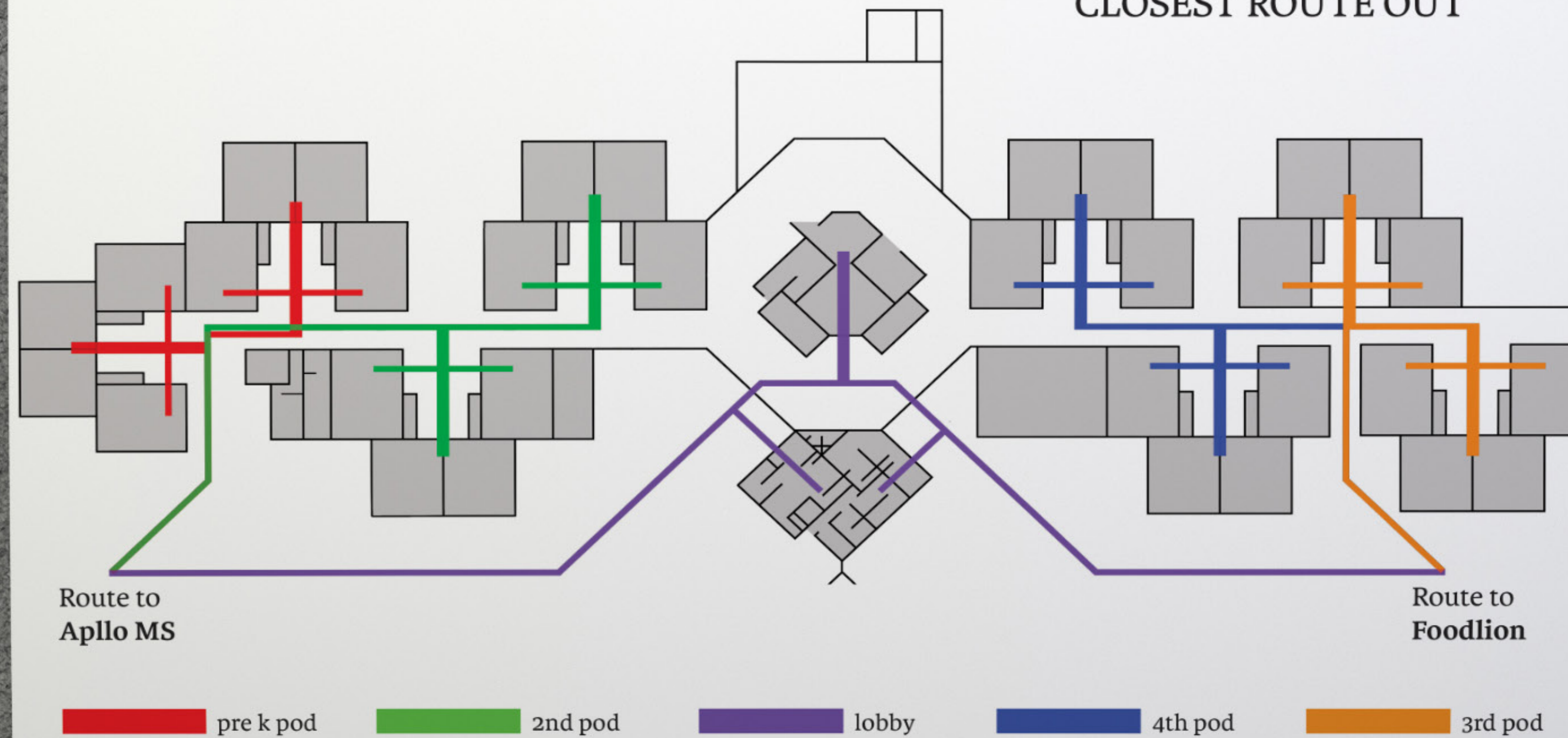
EVACUATION PLAN

J.E. Moss Elementary School

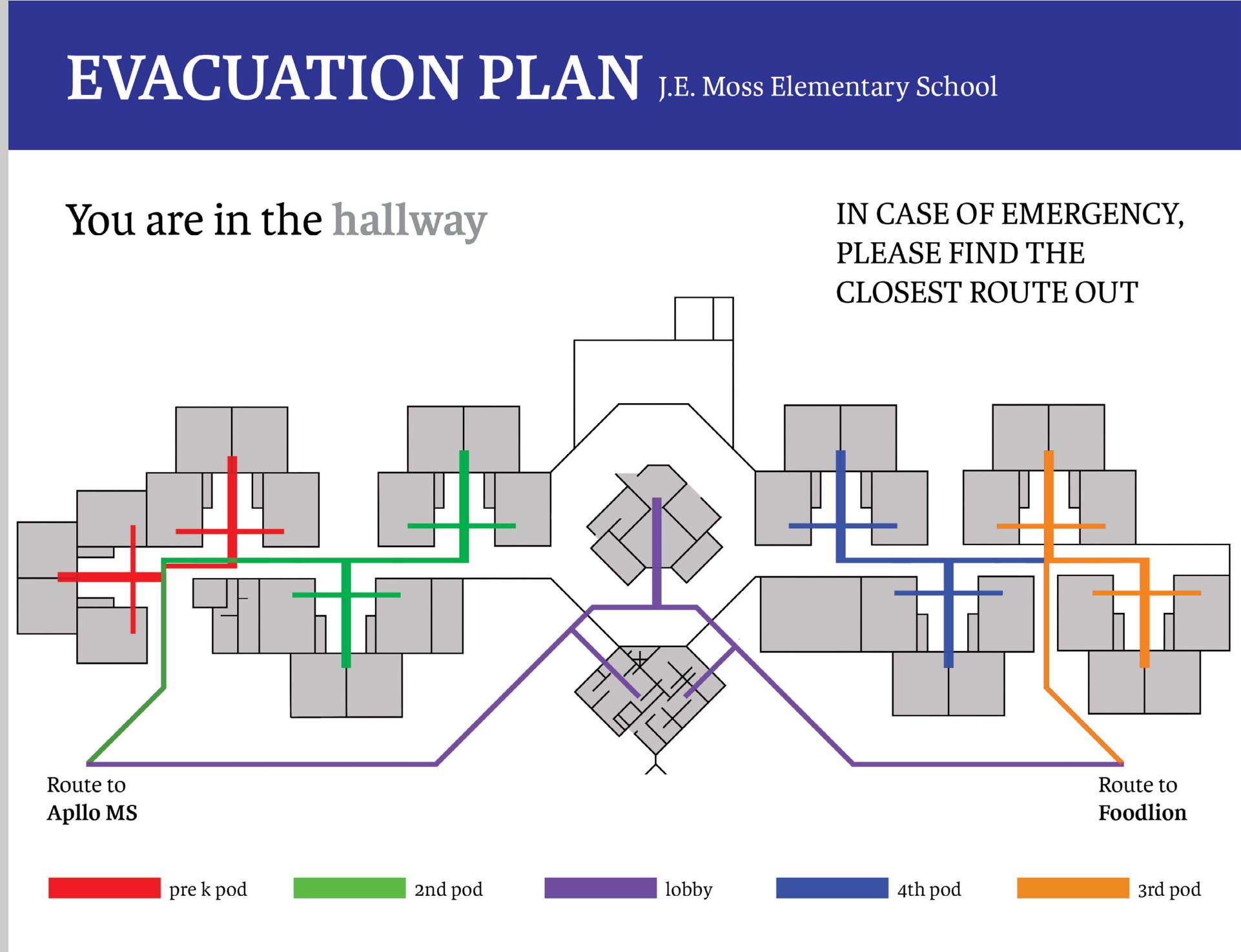
Here is a mockup of what it will look like on the hallways.

You are in the hallway

IN CASE OF EMERGENCY,
PLEASE FIND THE
CLOSEST ROUTE OUT



EVACUATION MAP



↑
Click to see the process

WEBSITE

ENGLISH ESPAÑOL

J.E. MOSS ELEMENTARY SCHOOL

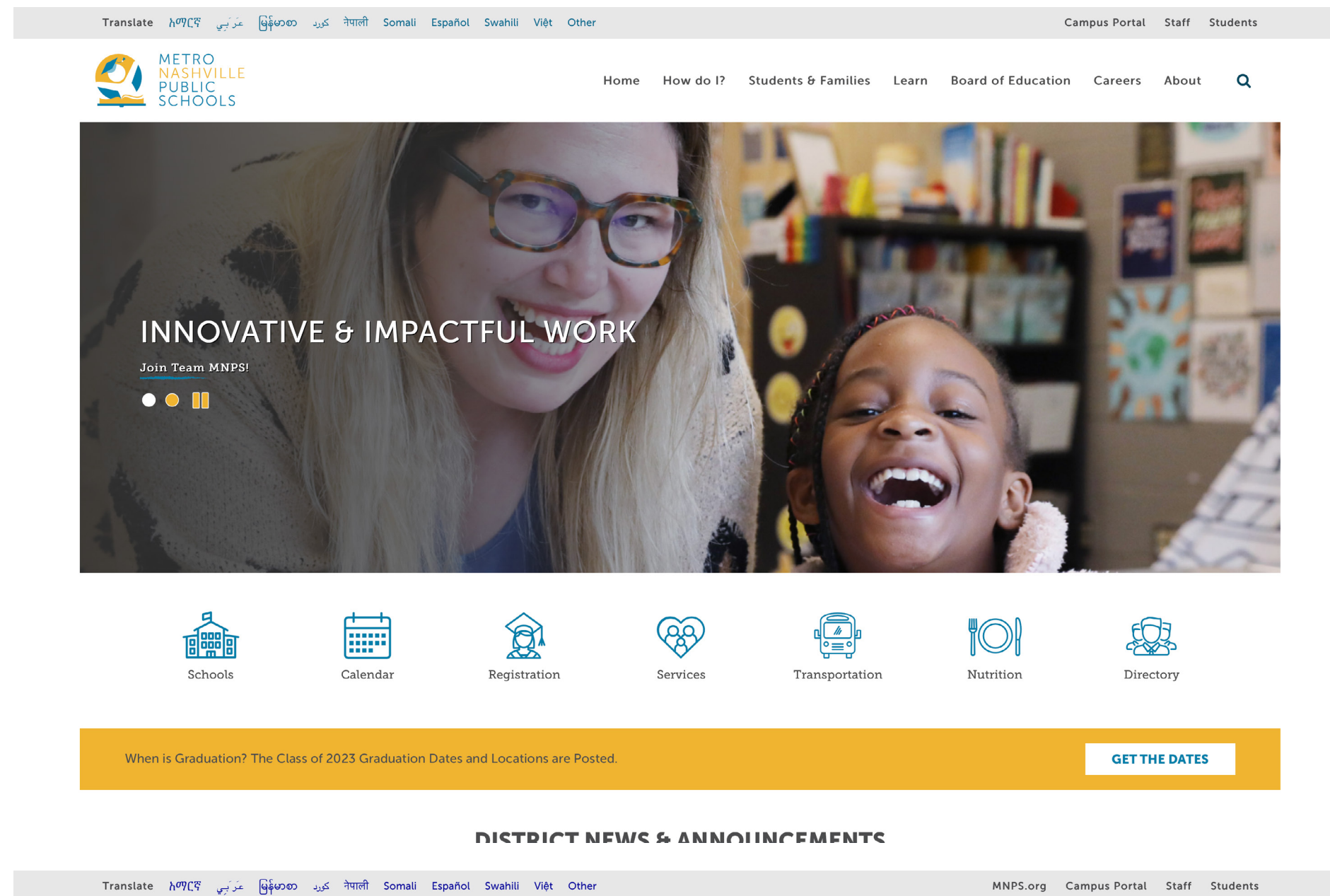
Home Our School Programs & Activities Families Students

J.E. MOSS ELEMENTARY SCHOOL

Calendar Directory School Meals Transportation Service

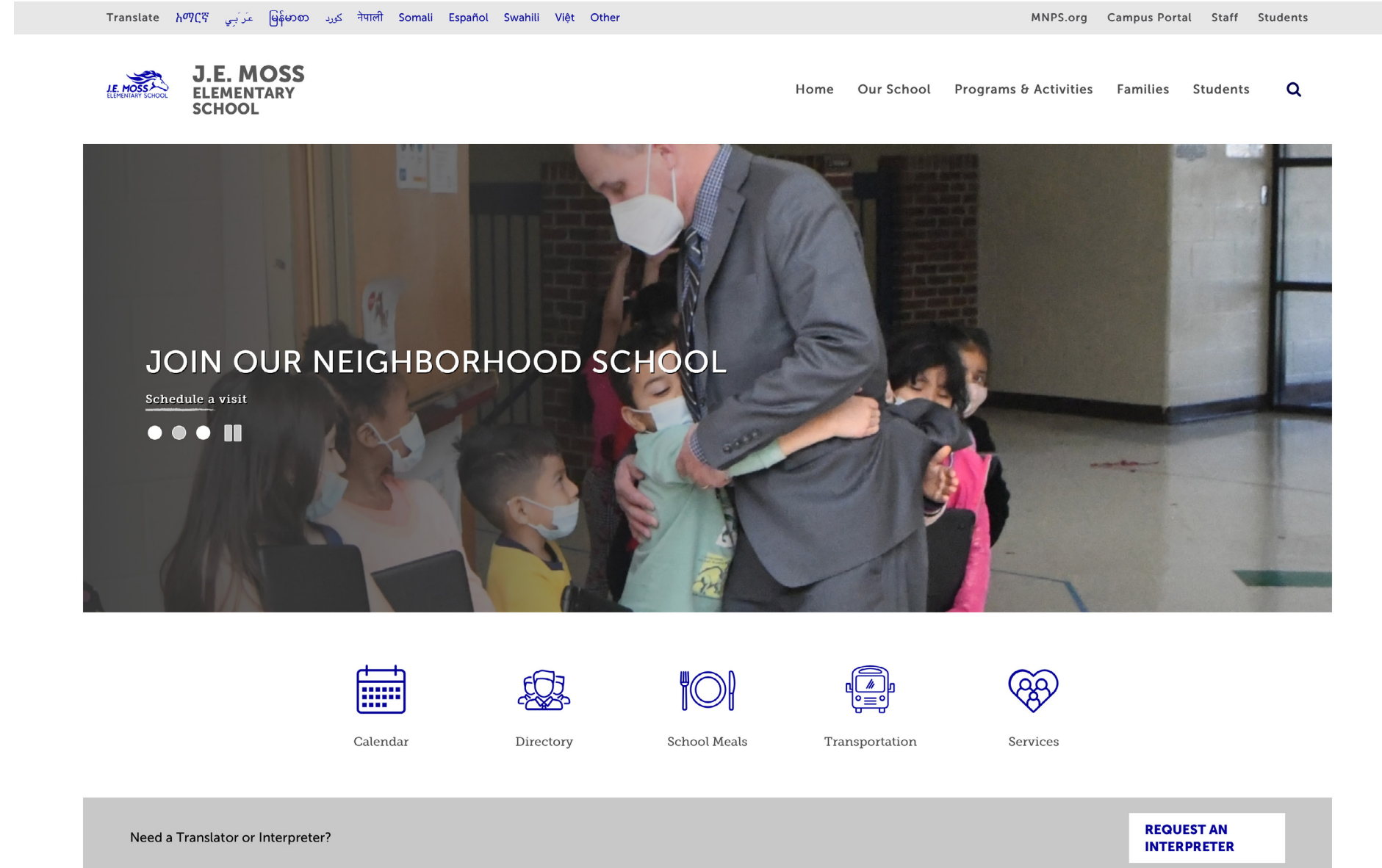
The website header includes language options (English and Spanish), the school logo, and a navigation menu with links to Home, Our School, Programs & Activities, Families, and Students. Below the navigation is a large banner featuring a stylized horse head and the school name. At the bottom, there are five icons representing different school services: Calendar, Directory, School Meals, Transportation, and Service.

↑
Click to see the process



What exists?

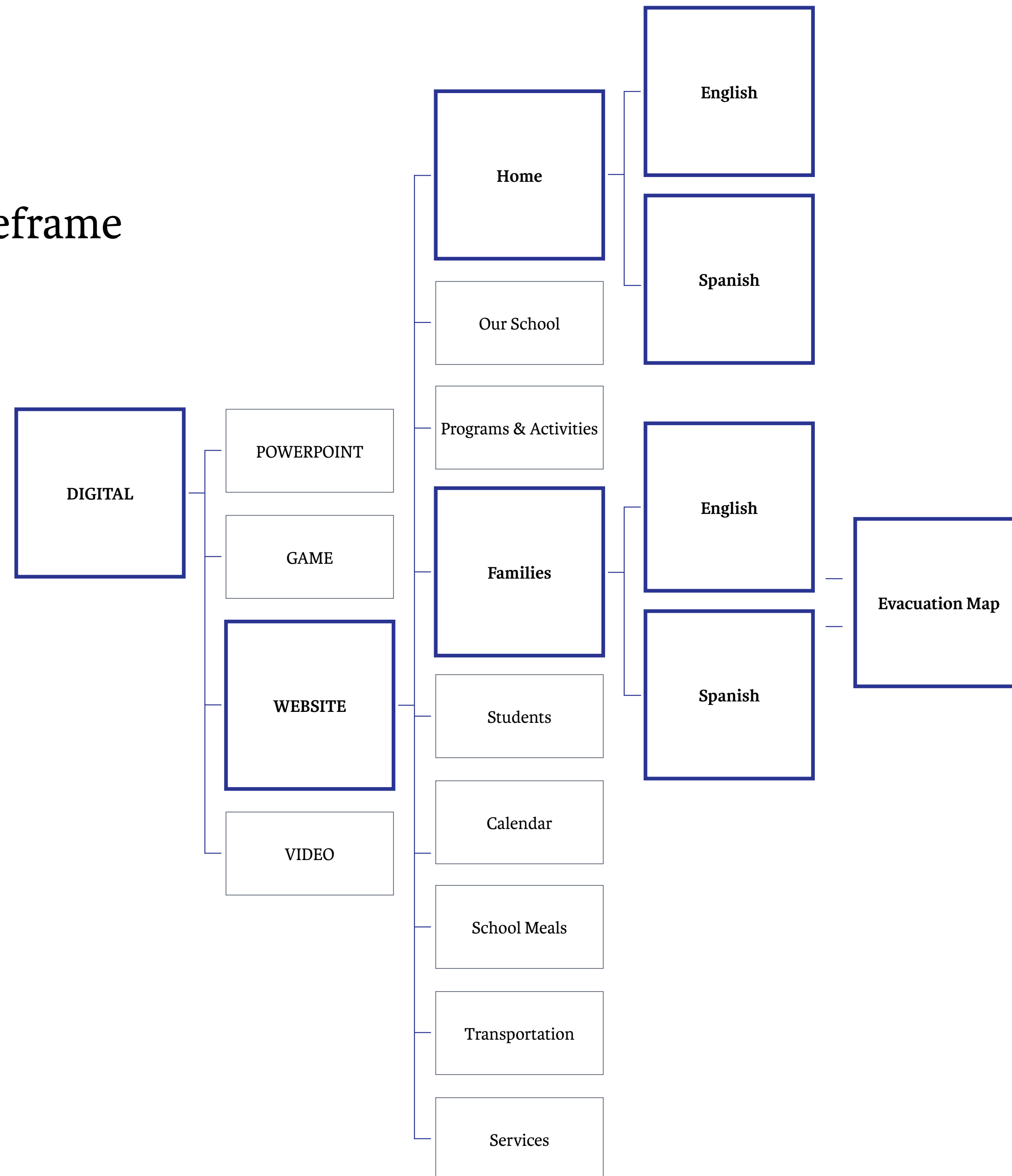
During my research, I realized that all schools under the MNPS system have the same design for all their websites. The idea of unifying the website so that they look and feel like one single community made me want to continue the idea and the designs. Therefore, I tried making the website more convenient, approachable, and useful along with a Spanish-translated version for easier understanding.



Any security or safety related information?

Unfortunately, I wasn't able to find any security or safety-related information on the J.E. Moss Elementary School website, and for the MNPS website, the information was not related to evacuations or any prior practices. The search engines confirmed that there are no results for words such as security, safety, evacuation, and emergency. This result says something about the MNPS system and the schools.

Wireframe



What will the website be about?

I'll be making two versions, each in English and Spanish, of a school website that provides safety guidelines, instructions, and supplies the students utilize, such as the evacuation plan. This website is dedicated for the guardians of the students. It will be a helpful resource for the adults to observe and trust the school, considering the school as a safe place.

I focused on making the 'Home' and the 'Families' pages specifically, as they would be the pages containing the information needed for the guardians.



Please click on the screen to visit the website.

Bibliography

Everytown. “The Long, Shameful List of Gunfire on School Grounds in America.” Everytown Research & Policy, 14 June 2022, <https://everytownresearch.org/maps/gunfire-on-school-grounds/>.

“Colored Evacuation Plan Template.” Edraw, <https://www.edrawsoft.com/template-colored-evacuation-plan.html>.

Institute of Education Sciences. “Report on Indicators of School Crime and Safety:2020.” Institute of Education Sciences, July 2021, <https://nces.ed.gov/ipeds/data/indicators/2020/2021092.pdf>.

J.E. Moss. “Our School.” J.E. Moss Elementary School, https://jemoss.mnps.org/our_school.

Metro Nashville Public Schools, <https://www.mnps.org/>.

Sevier County Sheriff’s Office. “Tennessee Gun Laws.” Sevier County Sheriff’s Office, Tennessee, 2021, <https://www.seviercountysheriff.com/tennessee-gun-laws.html>.

Tarlengco, Jona. “What You Need to Know about Fire Safety Plan.” SafetyCulture, 22 Nov. 2022, <https://safetyculture.com/topics/fire-safety-plan/>.

Tucker, Emma. “These Are the Gun Control Laws Passed in 2022 so Far.” CNN, Cable News Network, 30 July 2022, <https://www.cnn.com/2022/07/30/us/gun-control-laws-2022/index.html>.

UCSF Health Safety Office. “Evacuation Routes.” Safety Security EM, <https://safety.ucsf.edu/evacuation-routes>.

Colophon

Karina Bold
Karina Regular

Programs

Adobe Illustrator
Adobe Photoshop
Adobe InDesign
Procreate